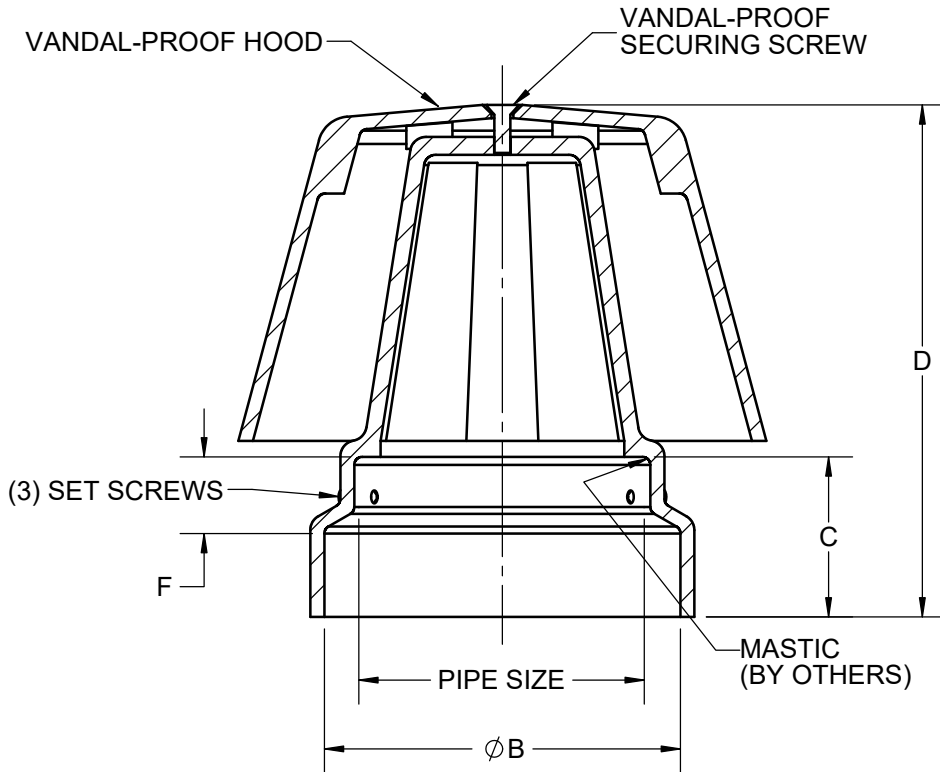
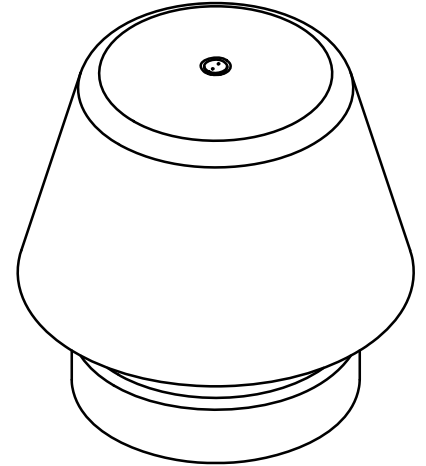
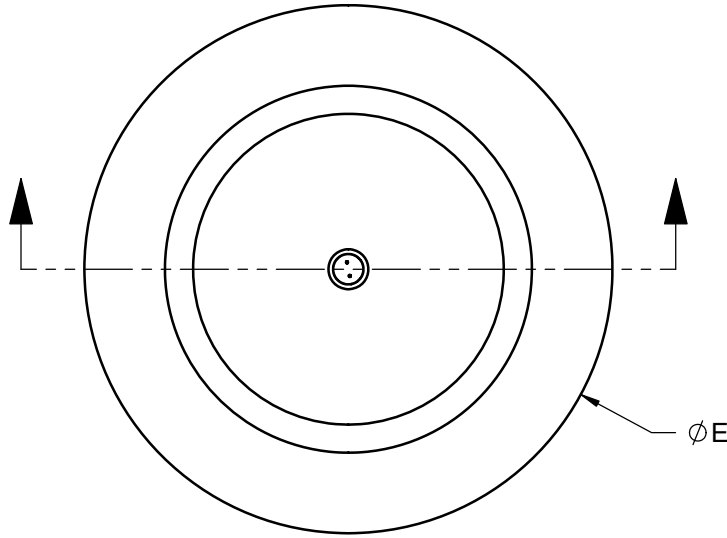


SPECIFICATION:

JOSAM 26700 SERIES COATED CAST IRON VANDAL-PROOF HOODED VENT CAP WITH LARGE FROST-PROOF OPENINGS, COUNTERFLASHING COLLAR, DEEP PROTECTIVE HOOD AND RECESSED SECURING SCREWS.

**ROOF DRAIN
VANDAL-PROOF VENT CAP**

SERIES **26700**



	PIPE SIZE	B	C	D	E	F	FREE AREA
	1-1/2	2 5/8	2	4 1/2	5 3/4	1	3.7
	2	3 1/4	2	5 1/4	5 3/4	1	6.8
	2-1/2	4 3/8	2 1/2	6 7/8	8 1/4	3/4	15.3
	3	4 3/8	2 1/2	6 7/8	8 1/4	1 1/8	15.3
	4	5 1/2	2 1/2	8	8 1/4	1 1/8	27.4
	5	6 1/2	2 1/2	10 1/8	11 3/4	1 1/8	41.6
	6	7 1/2	2 3/4	11 3/4	11 3/4	1 1/8	58.0

-20	GALVANIZED CAST IRON PARTS
-63	ALL ROUGH BRONZE
-33	MESH-COVERED OPENINGS
-65	ALL ROUGH NIKALOY

DATE OF LAST CHANGE: 01/10/17

DIMENSIONS ARE SUBJECT TO MANUFACTURERS TOLERANCES AND CHANGE WITHOUT NOTICE. WE CAN ASSUME NO RESPONSIBILITY FOR USE OF SUPERSEDED OR VOID DATA.

JOSAM COMPANY
MICHIGAN CITY, INDIANA

NOTES