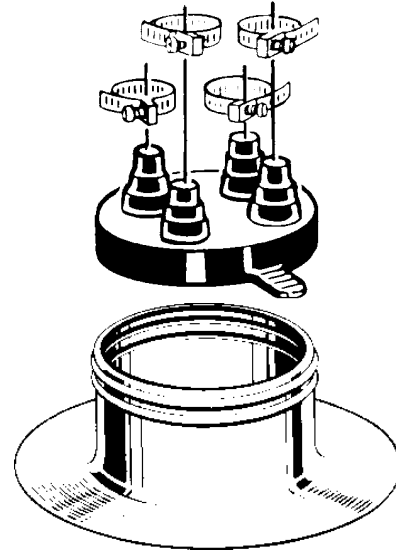




Alumi-Flash Standard with C-481 Cap

SPECIFICATION

Furnish and install the Portals Plus Standard Alumi-Flash as manufactured by Portals Plus, Inc., Bensenville, IL, at all points where up to four pipes .375" - 1" in diameter penetrate the roof. The Standard Alumi-Flash shall include a .060 spun aluminum base unit with a height of 4" and a base diameter of 14". The 8" collared opening shall have two beaded sealing rings roll formed into the top edge. An EPDM (Ethylene Propylene Diene Monomer) compression molded cap model C-481 shall be utilized. All Caps shall include Portals Plus' stainless steel Snaplock Clamps. Attachment and installation of the Standard Alumi-Flash shall be done in accordance with Portals Plus' instructions and the roofing membrane manufacturer's recommendations.



NOTE: All dimensions are I.D. of conical shaped nipples

