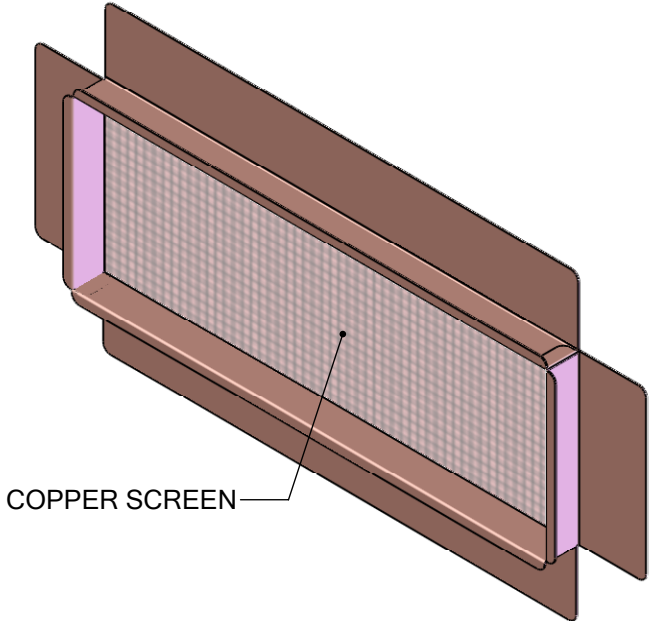
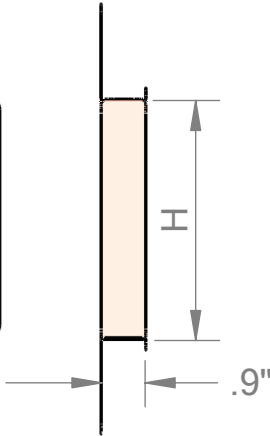
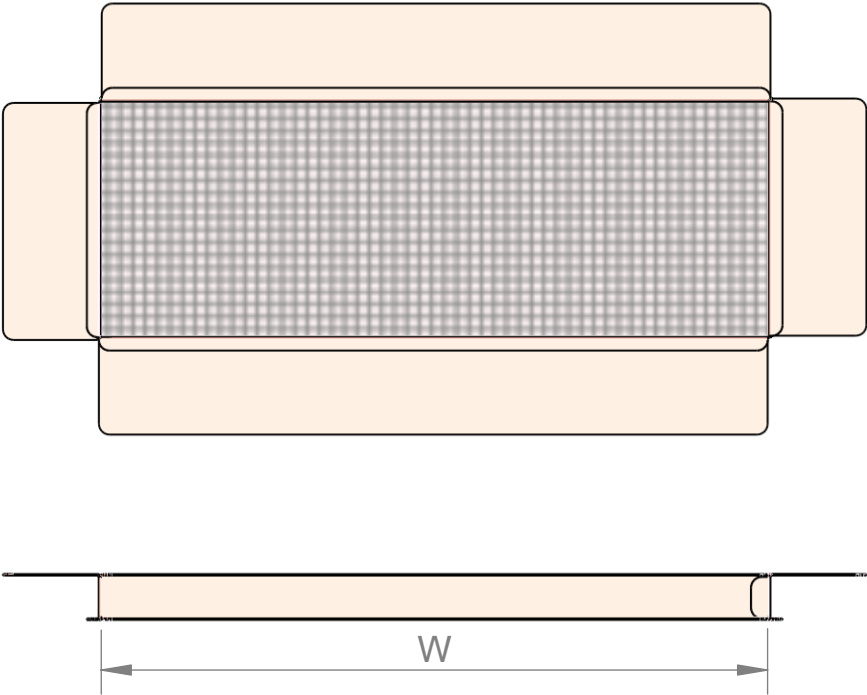


FOUNDATION VENT STUCCO MOUNT



MATERIAL	16 oz. copper
----------	---------------

PART #	W x H	FREE AREA
FDV 514-S	14" x 5"	70 in ²
FDV 816-S	16" x 8"	128 in ²