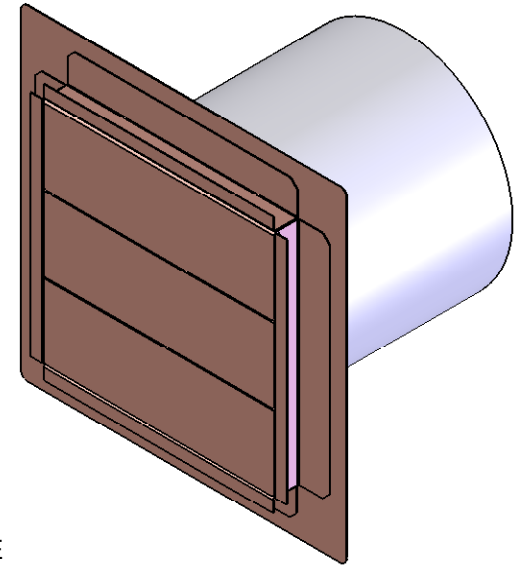
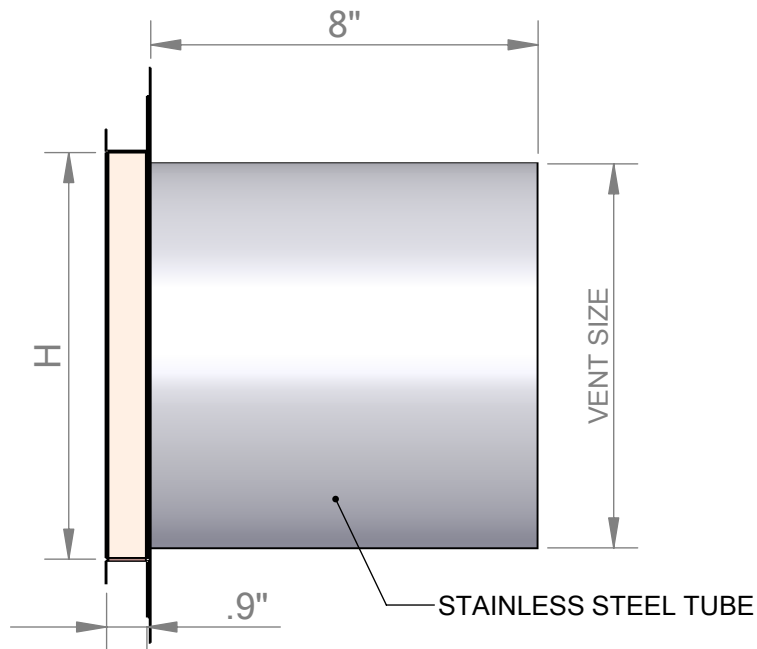
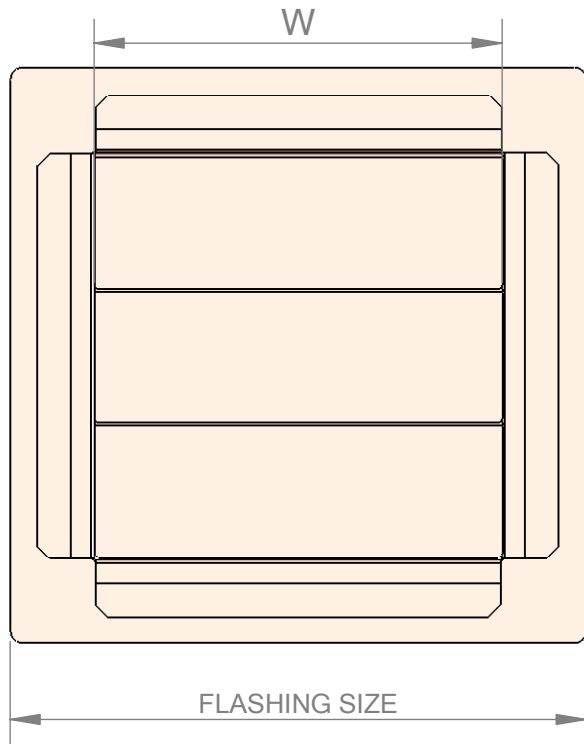


LOW PROFILE DRYER VENT STUCCO MOUNT



MATERIAL	16 oz. copper
----------	---------------

PART #	VENT SIZE	W x H	FLASHING SIZE
LPDV-4S	4"	4.5" x 4.5"	8" x 8"
LPDV-6S	6"	6.5" x 6.5"	10" x 10"
LPDV-8S	8"	8.5" x 8.5"	12" x 12"
LPDV-10S	10"	10.5" x 10.5"	14" x 14"
LPDV-12S	12"	12.5" x 12.5"	16" x 16"