

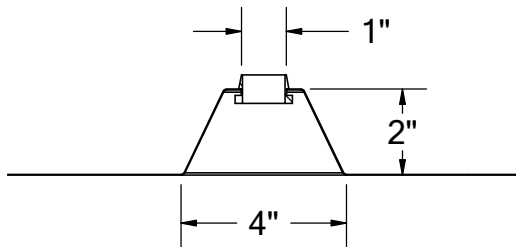
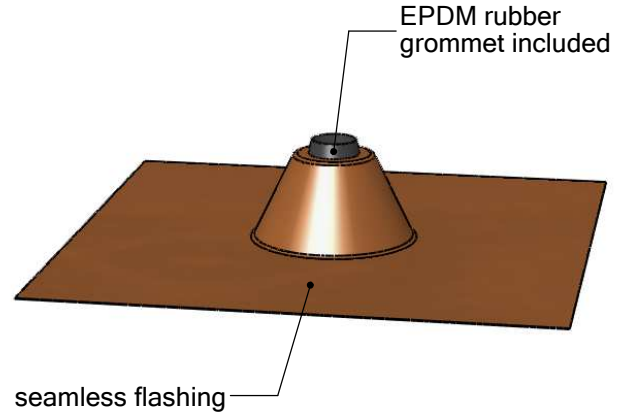
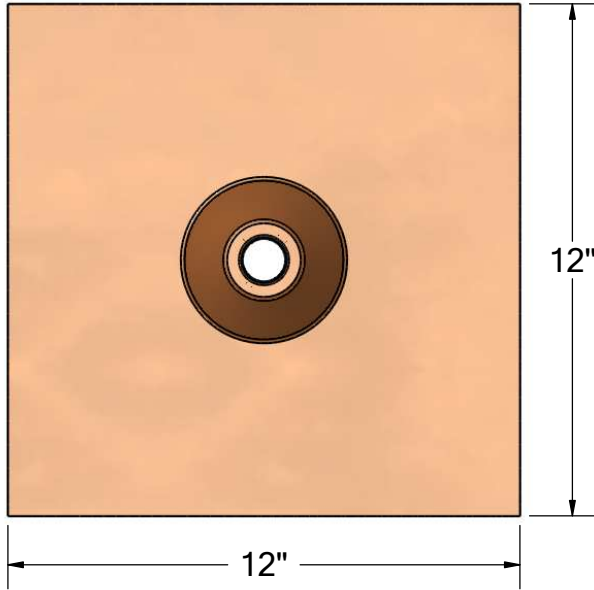


THUNDERBIRD PRODUCTS

tel: (619) 448-3567
fax: (619) 448-9072 tbirdusa.com

SOLAR PANEL MOUNT FLASHING

Seamless flashing. Low profile. Standard size for 1" diameter post. Includes EPDM rubber grommet. Other sizes available.



PART #	
SF1	1" flashing, copper
S-SF1	1" flashing, stainless
G-SF1	1" flashing, galvanized
B-SF1	1" flashing, bonderized
AL-SF1	1" flashing, aluminum