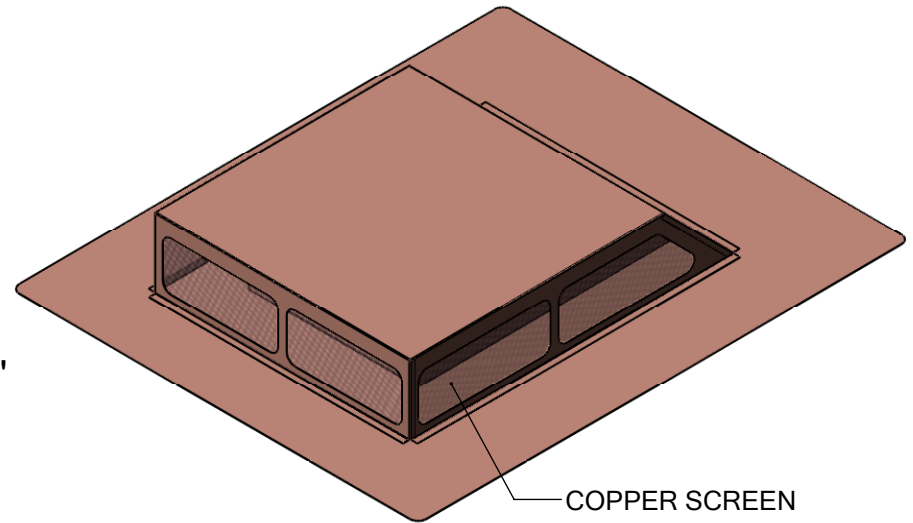
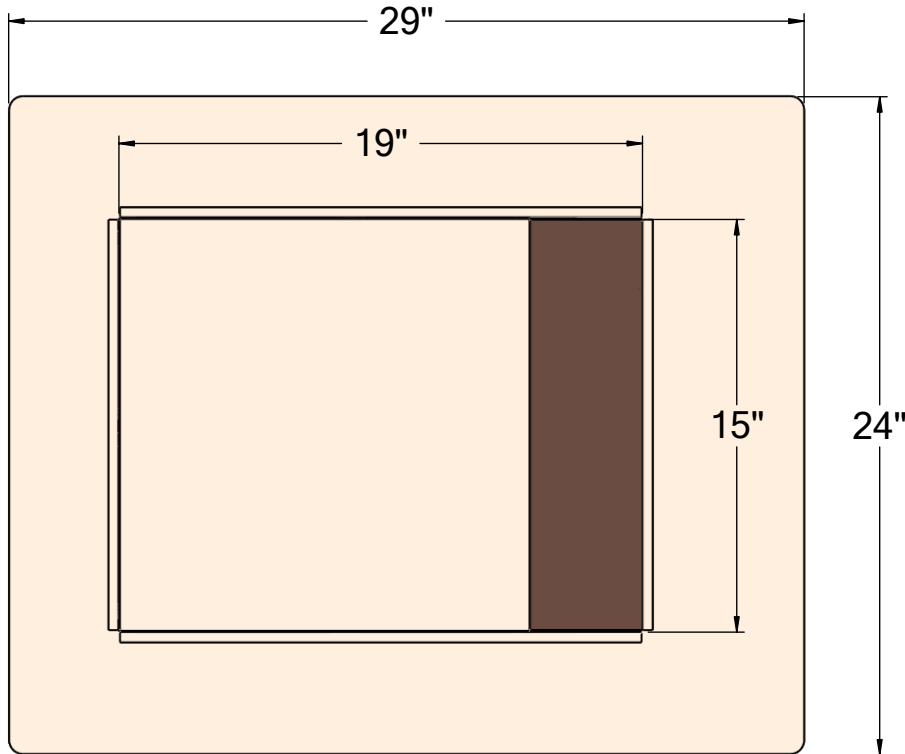
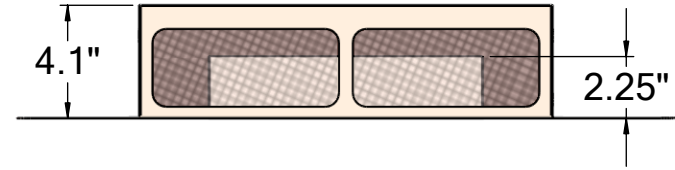
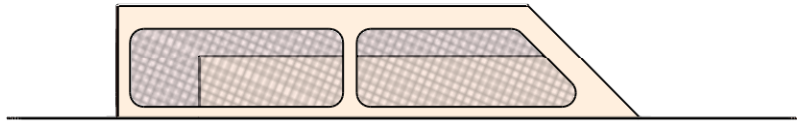


RECTANGULAR ATTIC VENT

75 in² NET FREE AREA



MATERIAL	16 oz copper
----------	--------------