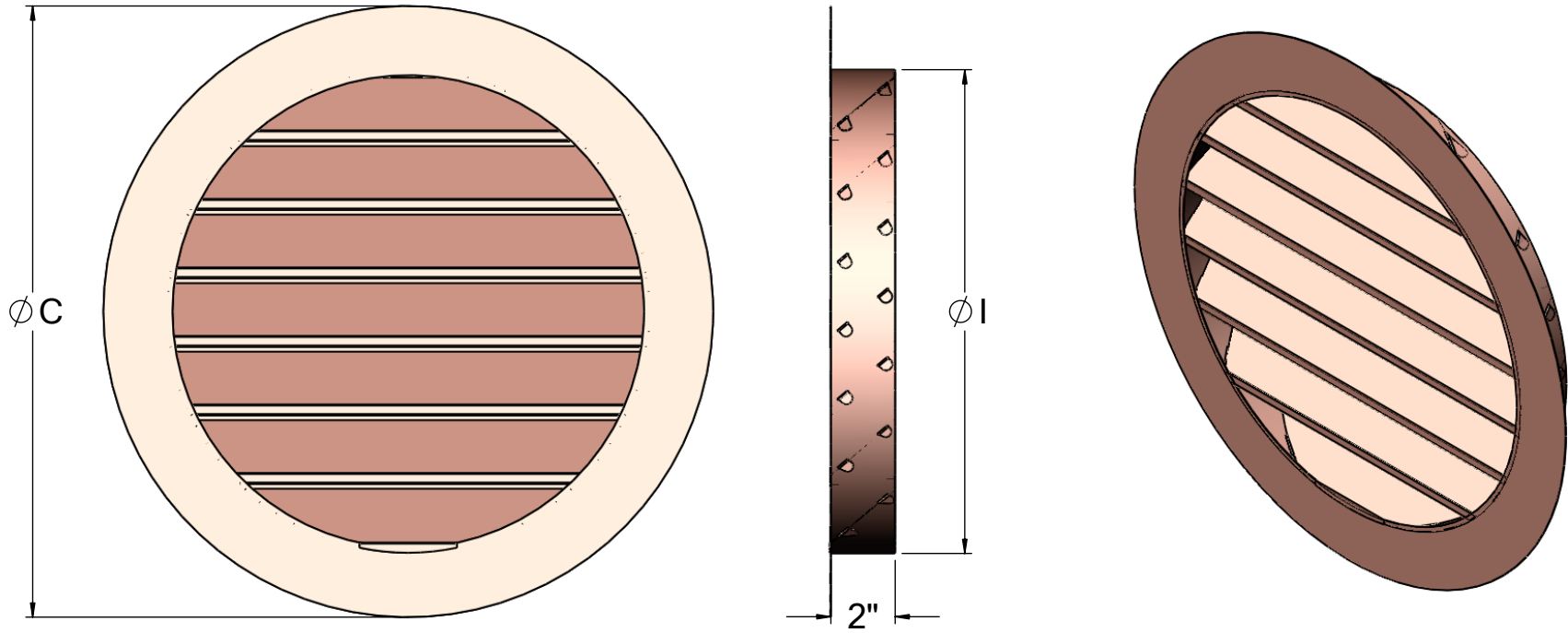


# CIRCULAR LOUVER VENT

FLUSH MOUNT



MATERIAL	16 oz copper or stainless steel
----------	---------------------------------

PART #	$\phi I$	$\phi C$	# OF LOUVERS	NET FREE AREA (APPROX.)
RLV-12F	12"	16"	6	28 in <sup>2</sup>
RLV-18F	18"	22"	9	66 in <sup>2</sup>
RLV-24F	24"	28"	12	122 in <sup>2</sup>