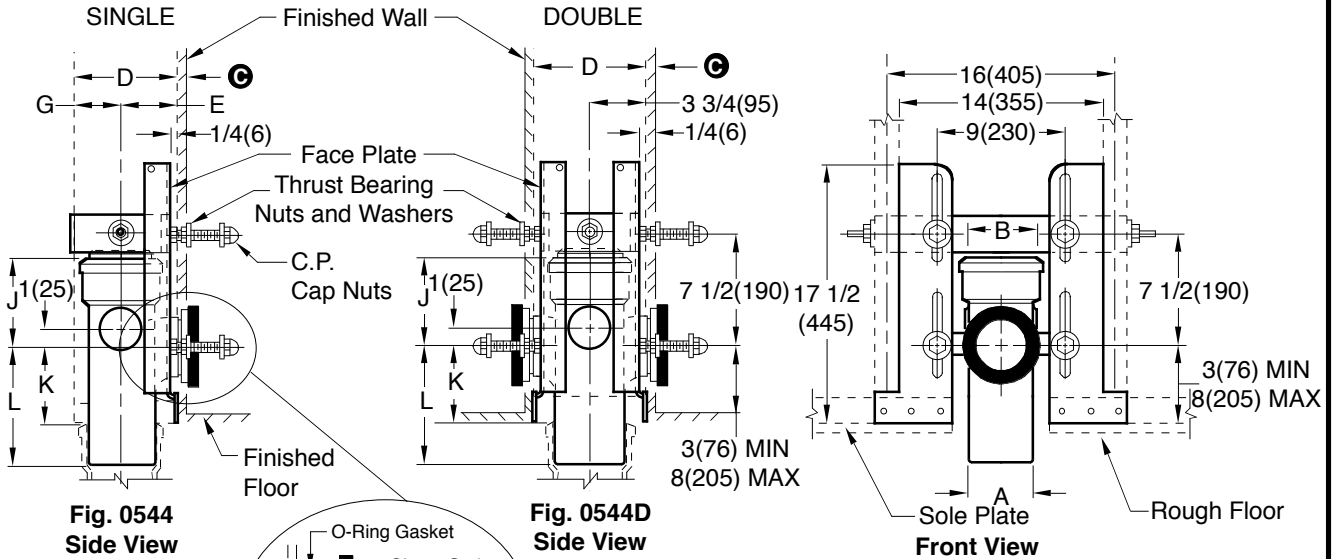


COMPACT FIXTURE SUPPORTS FOR SIPHON JET WATER CLOSETS WITH VERTICAL CENTER LINE FITTINGS

STUD-MOUNT FRAME FOR HUB & SPIGOT SYSTEMS



- Fig. 0532 3"(75) CAULK w/2"(51) Vent
- Fig. 0533 3"(75) CAULK w/3"(76) Vent
- Fig. 0542 4"(100) CAULK w/2"(51) Vent
- Fig. 0544 4"(100) CAULK w/4"(100) Vent
- Fig. 0544D . . . 4"(100) CAULK Double w/4"(100) Vent

NOTES:

1. Coupling should extend 5/16"(8) beyond finished wall.
 2. Double support for use with gravity flush tank type water closets only.
 3. Longer closet studs and couplings available when required.
- ⊙ 1"(25) MIN to 1 1/4"(32) MAX regularly furnished. Other dimensions available upon request. Service weight regularly furnished.

A	B	D	E	G	J	K	L
SIZE	SIZE	STUD					
3(75)	2(51)	2X6	3 1/2(89)	1 3/4(44)	5 1/4(135)	5 1/4(135)	8(205)
3(75)	3(76)	2X6	3 1/2(89)	1 3/4(44)	6(150)	5 1/4(135)	8(205)
4(100)	2(51)	2X8	3 1/2(89)	3 1/2(89)	5 1/4(135)	5(125)	8(205)
4(100)	4(100)	2X8	3 1/2(89)	3 1/2(89)	6(150)	5(125)	8(205)

INSTALLATION INSTRUCTIONS

- A. Center stack between two studs back "E" dimension (shown in table) from stud faces. 0544D must be centered in sole plate.
- B. Cut out hole in sole plate and floor for stack.
- C. To determine the height of the stack in relation to the finished floor, subtract the closet outlet c/L dimension from the "K" dimension.
- D. The fitting should now be caulked into the stack.
- E. The face plates are assembled to the reinforcing strap and to the arms of the fitting by means of the fixture studs and then nailed to the sole plate. The two vertical studs are set into place, then drilled for permanently anchoring the reinforcing strap with the stud bolts, nuts and washers.
- F. Thread locknut on male thread of adjustable coupling approximately 1"(25) and push "O"-Ring against locknut.
- G. Apply No. 90 Smith Seal to male threads on coupling. Install coupling and adjust it to extend 5/16"(8) beyond finished wall. Thread locknut snugly.
- H. Assemble the bearing nuts and washers to the fixture supporting studs. The fixture studs should extend 2 1/4"(57) beyond finished wall.
- I. Adjust bearing nuts so that washers extend 1/16"(2) beyond finished wall.
- J. After wall is erected, remove any plaster grout touching the fixture studs, bearing nuts washers and coupling.
- K. Place gasket in closet recess and set closet on studs protruding from wall making sure that closet outlet is centered on coupling.
- L. Place fiber washers on studs. Apply the two bottom and top left cap nuts, tighten securely. Apply the top right cap nut hand tight and snug up 1/4 turn with wrench.

NOTE: Dimensions shown in parentheses are in millimeters.

REV.	DATE	DESCRIPTION	BY	CKD. BY	WEIGHT POUNDS	VOLUME CUBIC FEET	FIGURE NUMBER
J	11-19-13	Revised Dimensions, Notes	TBW	CL			0532, 0533, 0542, 0544
H	4-10-13	Remove Notes	TBW	CL			
G	1-27-06	Revised Note & Remove Note	RN	CL			
F	8-26-05	Revised Note	TBW	CL			

DRAWING NUMBER: S0532
 SIZE: A
 SCALE: NONE
 DATE: 1-17-86
 APPROVED BY: SB
 CHECKED BY: JD
 DRAWN BY: CM
 FIGURE NUMBER: 0532, 0533, 0542, 0544
 DIMENSIONS ARE SUBJECT TO MANUFACTURERS TOLERANCE AND CHANGE WITHOUT NOTICE

WE CAN ASSUME NO RESPONSIBILITY FOR USE OF SUPERSEDED OR VOID DATA