

FLOOR DRAINS SMALL AREA MEDIUM DUTY

Load Rating: Medium Duty having a Safe Live (Static) Load between 2,000 lbs. (900 kg) and 4,999 lbs. (2,250 kg) per ASME A112.6.3 Floor Drain Standard. For the specific Safe Live Load rating of any grate, contact the Smith representative or factory direct.

Free Area
14.25 SQ IN
(92) SQ CM

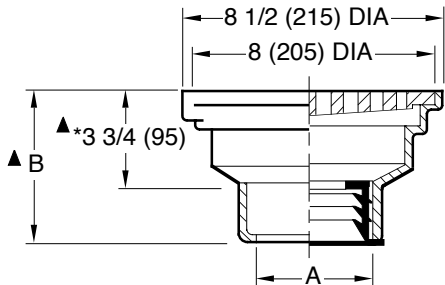


Fig. 2270C ... CAULK OUTLET
 Fig. 2270Y ... NO-HUB OUTLET

A SIZE	02 (50)	03 (80)	04 (100)
B	5 (125) for Caulk, NO-HUB and Speedi-Set 3 1/2 (89) for Threaded		

*This Dimension to Internal Stop of Speedi-Set Gasket.

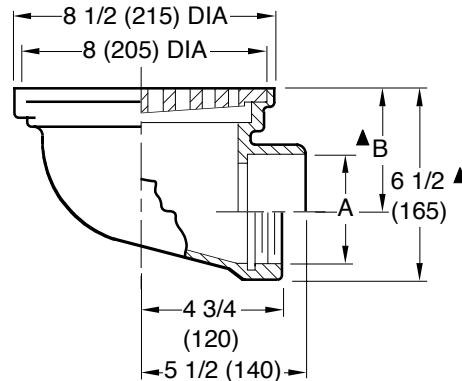


Fig. 2275C ... CAULK OUTLET
 Fig. 2275T ... THREADED OUTLET

A SIZE	02 (50)	03 (80)	04 (100)
B	4 3/4 (120)	4 1/4 (110)	3 3/4 (95)

▲ add 1/4" (6) when bronze top is specified.

REGULARLY FURNISHED:
 Duco Cast Iron Body and Loose Set Bar Grate.

VARIATIONS:

- Dome Grate -D
- Flat Bottom Strainer -FBS (Fig. 2270 only)
- Hinged Grate -H
- L Speedi-Set Service Weight (Fig. 2270 only)
- LXH Speedi-Set Extra Heavy (Fig. 2270 only)
- NO-HUB Adaptor (Specify Fig. 2646Y) (Fig. 2275 only)
- Sediment Bucket -B
- Square Top -S
- Tractor Grate (Specify Fig. 2271)
- Vandal Proof Grate -U
- T Threaded Outlet
- Quad Close Trap Seal (Specify Fig. 2692) (Fig. 2270 Only)

OPTIONAL MATERIALS:

- Ductile Iron Grate -M
- Galvanized Cast Iron -G
- Nickel Bronze Top -NB
- Polished Bronze Top -PB

NOTE: Dimensions shown in parentheses are in millimeters.

DRAWING NUMBER **S2270**
 SIZE **A**
 SCALE: **NONE**
 DATE: **5-17-85**
 APPROVED BY: **TD**
 CHECKED BY: **TD**
 DRAWN BY: **TWK**
2270, 2275
 FIGURE NUMBER

WE CAN ASSUME NO RESPONSIBILITY FOR USE OF SUPERSEDED OR VOID DATA

H G F E	7-25-19 6-18-19 6-17-15 4-8-97	Added Load Rating Removed Function Revised Variations Added Millimeters	MW MW TBW EMB	JM JM CL BS	WEIGHT POUNDS	VOLUME CUBIC FEET	FIGURE NUMBER 2270, 2275
REV.	DATE	DESCRIPTION	BY	CKD. BY			