

SPECIFICATION:

JOSAM 22100 SERIES COATED CAST IRON COMBINATION ROOF DRAIN AND OVERFLOW DRAIN WITH CAST IRON DOMES, WEJLOC® NON-PUNCTURING CLAMP RINGS WITH INTEGRAL GRAVEL STOPS, INTEGRAL CAST IRON STANDPIPE IN CAST IRON DECK FLANGE AND DUAL NO-HUB BOTTOM OUTLETS.

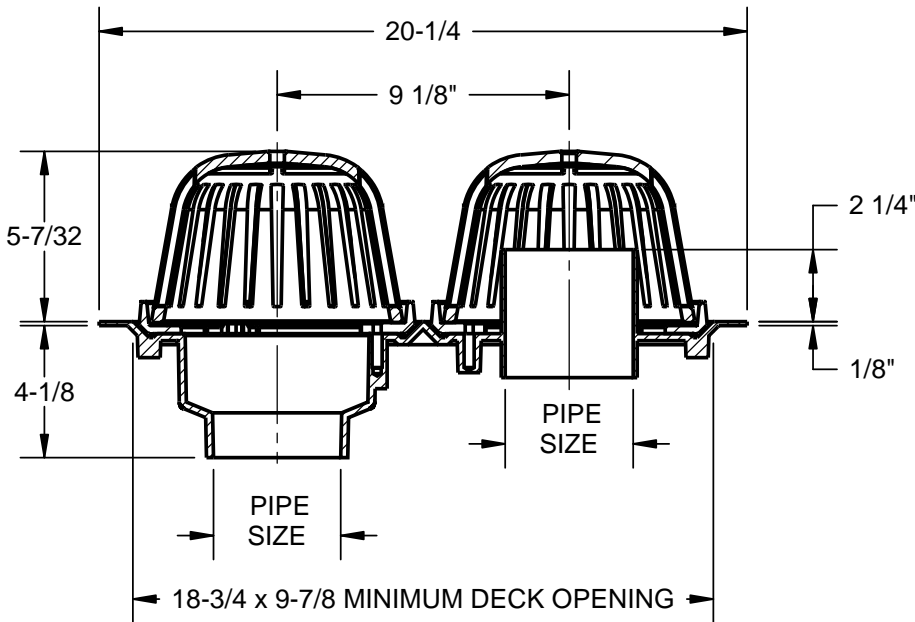
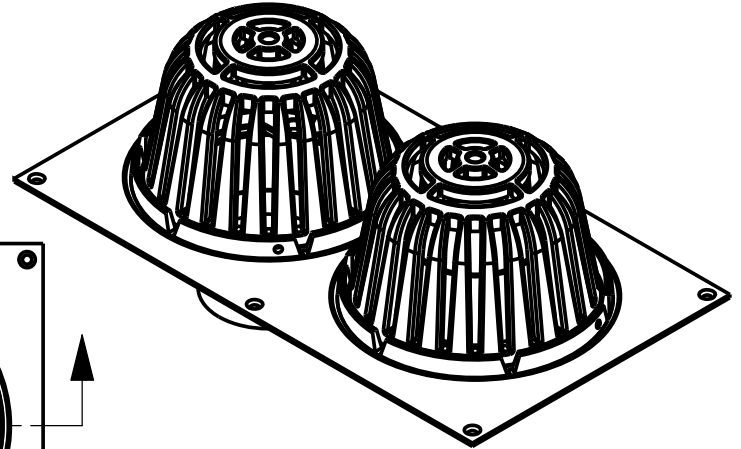
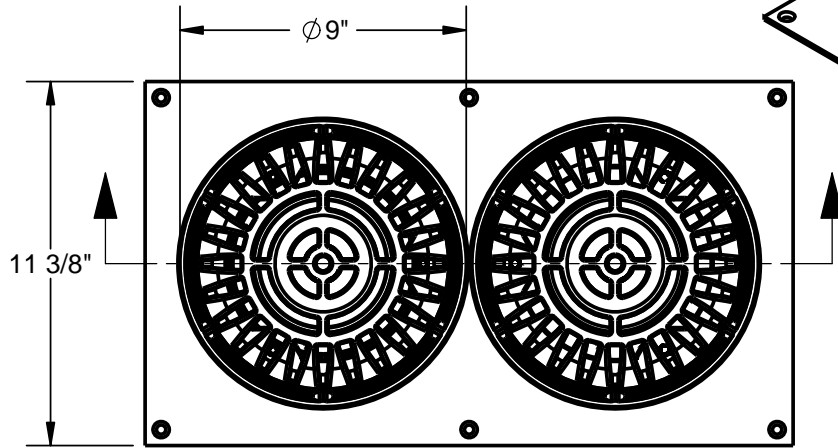
ROOF DRAIN

COMBINATION DRAIN/OVERFLOW

SERIES

22100

FORMERLY 22080-Q5 SERIES



** -10 EXTENSION 1" STANDARD

| | | | |
|-----|---|-------|--------------------------------------|
| 2" | PIPE SIZE | -20 | GALVANIZED CAST IRON PARTS |
| 3" | PIPE SIZE | -23 | ROUGH BRONZE DOME |
| 4" | PIPE SIZE | -33 | STAINLESS MESH SCREEN COVERED DOME |
| | | -IRMA | PERFORATED STAINLESS STEEL EXTENSION |
| -1 | DECK CLAMP ASSEMBLY | -VP | SECURED DOME |
| -10 | FIXED EXTENSION COLLAR, CAST IRON (SPECIFY HEIGHT **) | -21 | GALVANIZED CAST IRON DOME ONLY |
| -19 | CLAMP COLLAR W/PERF. STAINLESS STEEL GRAVEL GUARD | | |

DATE OF LAST CHANGE: 11/11/2014

DIMENSIONS ARE SUBJECT TO MANUFACTURERS TOLERANCES AND CHANGE WITHOUT NOTICE. WE CAN ASSUME NO RESPONSIBILITY FOR USE OF SUPERSEDED OR VOID DATA.

JOSAM COMPANY
MICHIGAN CITY, INDIANA

NOTES