

H

SMITH® JAY R. SMITH MFG. CO.®
 MEMBER OF MORRIS GROUP INTERNATIONAL
 POST OFFICE BOX 3237
 MONTGOMERY, ALABAMA 36109-0237 (USA)
 TEL: 334-277-8520 FAX: 334-272-7396 www.jrsmith.com



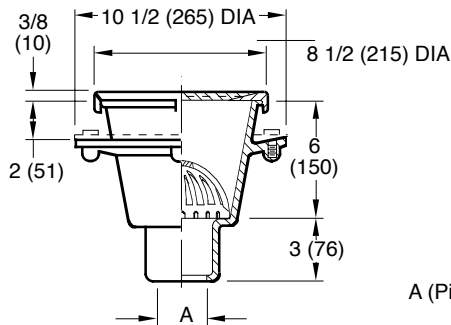
LOCATION

SANI-CEPTOR® ACID RESISTANT COATED FLOOR & INDIRECT WASTE DRAINS

ROUND NICKEL BRONZE TOP

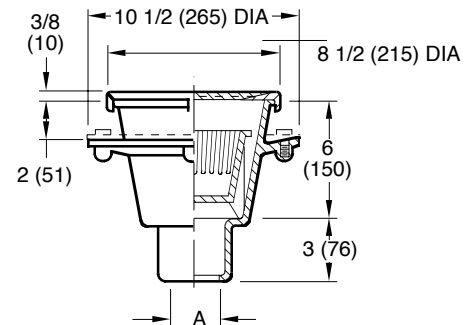
8 1/2" (215) TOP - MEDIUM RECEPTORS

FUNCTION: Used in kitchens, hospitals, food markets, restaurants, schools and all types of food handling areas where the ultimate in sanitation is desirable and a medium capacity receptor is required.



WITH DOME BOTTOM STRAINER

Free Area
 17.35 SQ IN
 (112) SQ CM



WITH SEDIMENT BUCKET

A (Pipe Size) = 02(50), 03(80) or 04(100)

- Fig. 3040C CAULK OUTLET Fig. 3041C
- Fig. 3040Y NO-HUB OUTLET Fig. 3041Y

NOTE: When NO-HUB outlet is specified a caulk outlet w/9502 Speedi-Seal gasket will be supplied.

FEATURES, OPTIONS & ORDERING INFORMATION

REGULARLY FURNISHED: Cast Iron Flanged Receptor with Seepage Holes, Acid Resistant Coated Interior, Nickel Bronze Rim and Secured Grate. Aluminum Dome Bottom Strainer or Sediment Bucket as Indicated by Figure Number.

VARIATIONS:

- Aluminum Flat Bottom Strainer -FBS
- Flashing Clamp -C
- Less Flange (Specify Fig. 3045, 3046)
- Polished Aluminum Dome Bottom Strainer -PDBS
- Vandal Proof Screws -U

OPTIONAL MATERIALS:

- All Duco Cast Iron Receptor -CI
- All Galvanized Receptor -G

NOTE: Dimensions shown in parentheses are in millimeters.

SUFFIX NUMBER ROUND RIM

SUFFIX NUMBER	DESCRIPTION
-10	Less NB Rim and Grate
-11	Less Grate w/NB Rim
-12	With NB Rim and 1/2 Grate
-13	With NB Rim and 3/4 Grate
-14	With NB Rim and Grate with 2 1/2" (64) SQ Center Hole
-15	With NB Rim and Aluminum Recessed Grate
-19	With NB Rim and Hinged Grate
-21	With NB Rim and Grate with 4" (100) DIA NB Funnel
-22	With NB Rim and Grate with 6" (150) DIA NB Funnel
-25	With NB Rim and Grate with 8 1/4(210) x 3 1/4(83) x 4 1/2"(115) High Oval NB Funnel
-26	With NB Rim and Grate with 6(150) x 2 1/2(64) x 1"(25) High Oval NB Funnel
-41	With NB Rim and Solid Cover
-42	With NB Rim and 1/2 Solid Cover
-43	With NB Rim and 3/4 Solid Cover
-44	With NB Rim and Solid Cover with 2 1/2" (64) DIA Center Hole
-51	With Square NB Rim and Round Grate

DRAWING NUMBER S3040

SIZE A

SCALE: NONE

DATE: 9-19-85

APPROVED BY: SJM

CHECKED BY: JD

DRAWN BY: PJ

3040, 3041

H G T E	6-6-12 01/20/11 10/19/09 4-8-96	Added Note Updated Logo Added -51 Suffix Number Rev Rim Description	TBW JJ JJ EMB	CL TW CL BS	WEIGHT POUNDS	VOLUME CUBIC FEET	FIGURE NUMBER 3040, 3041
REV.	DATE	DESCRIPTION	BY	CKD. BY			