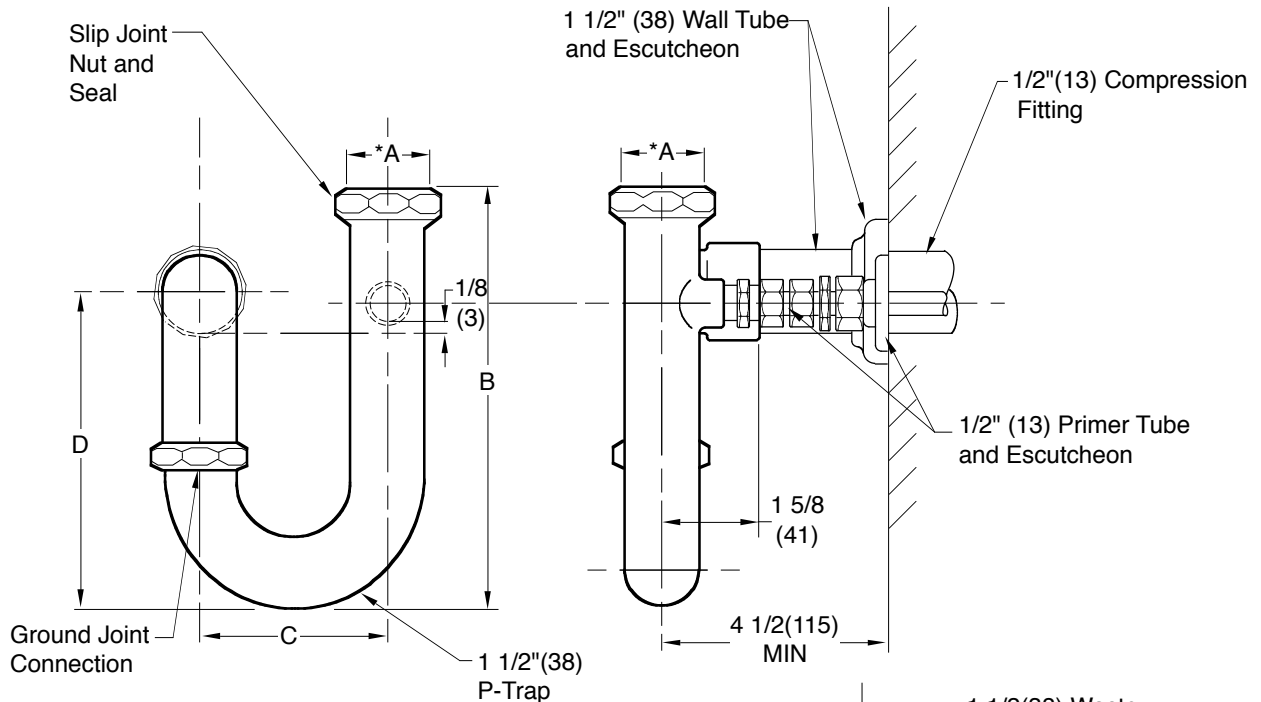


ADA PRIME-EZE WATER SAVER TRAP PRIMER

FUNCTION: The water saver trap primer utilizes the temporary "head" of water in the p-trap which occurs during use of certain plumbing fixtures like lavatories and drinking fountains. This temporary head of water is sufficient to cause an "overflow" through the connection to allow a small amount of water to flow by gravity through a pipe under the floor to the floor drain trap primer connection. Thus, the floor drain trap seal is maintained.



IMPORTANT: P-Trap must be mounted parallel with wall and outlet left of the lavatory drain.

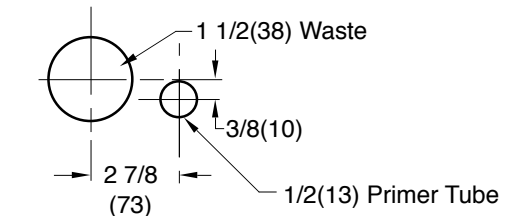
FRONT VIEW

*1 1/4 (32) and 1 1/2 (38) Slip Joint Nuts are Provided to Accommodate the Appropriate Fixture Tail piece. Ground Joint Elbow is Threaded 1 1/2 (38) N.P.T.

NOTE: Invert of connection located 1/8" (3) above static water level enabling "overflow" into primer tube when temporary head of water is created.

REGULARLY FURNISHED:
Satin Chrome Plated Cast Bronze P-trap with Ground Joint Connection, Threaded Wall Tube, Slip Joint Nuts, Washers and Escutcheons, 1/2" (13) Primer Tube with Compression Fitting Connection at Wall.

NOTE: Dimensions shown in parentheses are in millimeters.



RECOMMENDED ROUGH-IN

A (INLET SIZE)	B	C	D
0125 (32) or 0150 (38)	6 (150)	2 7/8 (73)	5 (125)

OPTIONAL MATERIALS:
 Polished Chrome Plated Cast Bronze P-Trap -CP

U.S. PATENT
4,218,786



STD. 1044



C File No. 3253

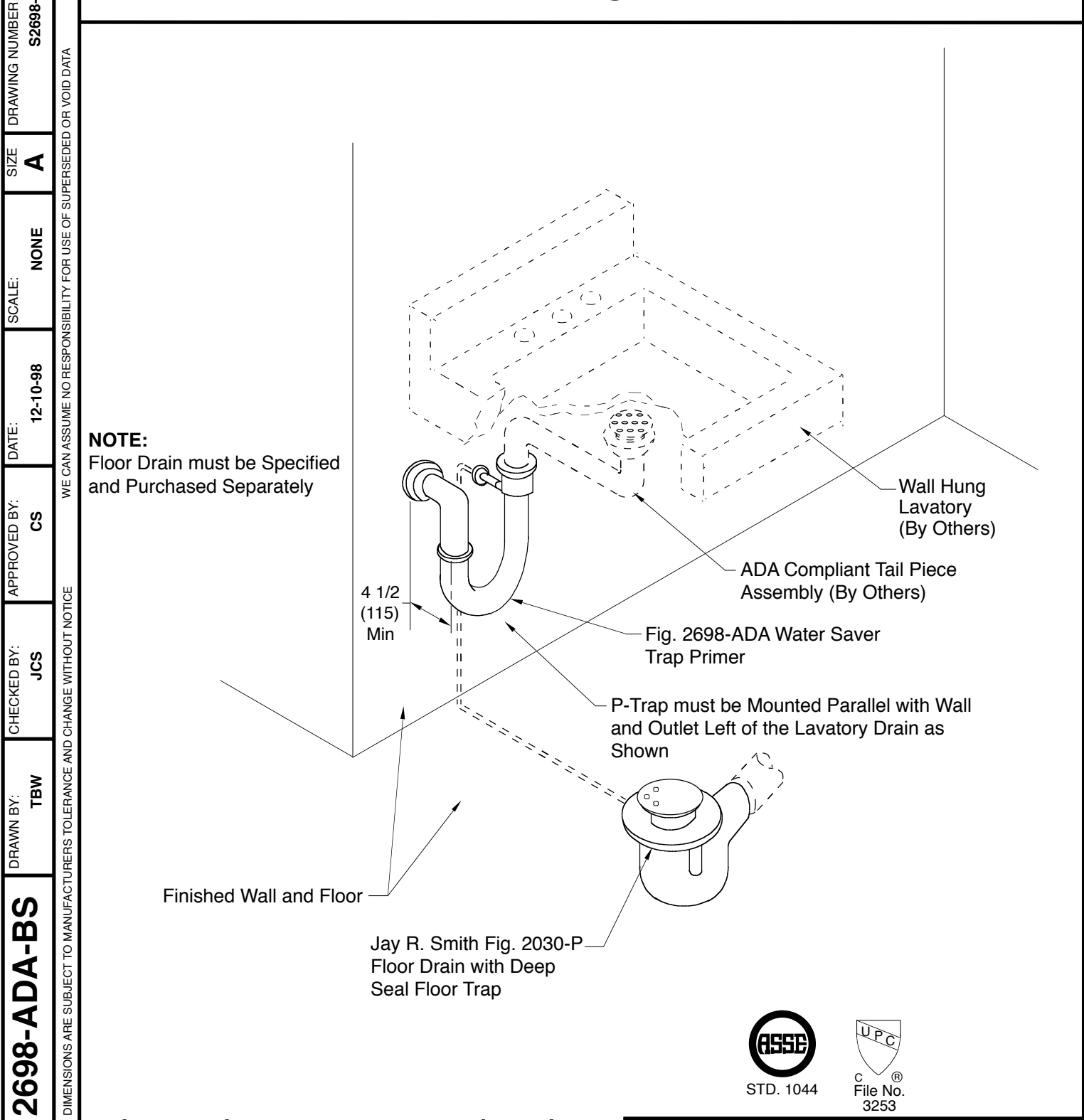
CANADIAN PATENT
1,139,184

2698-ADA

REV.	DATE	DESCRIPTION	BY	CKD. BY
		Revised UPC Marking	TBW	CL

WEIGHT POUNDS	VOLUME CUBIC FEET	FIGURE NUMBER
		2698-ADA

ADA PRIME-EZE WATER SAVER TRAP PRIMER



NOTE:
 Floor Drain must be Specified
 and Purchased Separately

4 1/2
 (115)
 Min

Wall Hung
 Lavatory
 (By Others)

ADA Compliant Tail Piece
 Assembly (By Others)

Fig. 2698-ADA Water Saver
 Trap Primer

P-Trap must be Mounted Parallel with Wall
 and Outlet Left of the Lavatory Drain as
 Shown

Finished Wall and Floor

Jay R. Smith Fig. 2030-P
 Floor Drain with Deep
 Seal Floor Trap



STD. 1044



C File No.
 3253

FIGURE NUMBER	A	6-1-15	Revised UPC Marking	TBW	CL	WEIGHT POUNDS	VOLUME CUBIC FEET	FIGURE NUMBER
	REV.	DATE	DESCRIPTION	BY	CKD. BY			2698-ADA-BS