

E

SMITH® JAY R. SMITH MFG. CO.®
 MEMBER OF MORRIS GROUP INTERNATIONAL
 POST OFFICE BOX 3237
 MONTGOMERY, ALABAMA 36109-0237 (USA)
 TEL: 334-277-8520 FAX: 888-377-7818 www.jrsmith.com



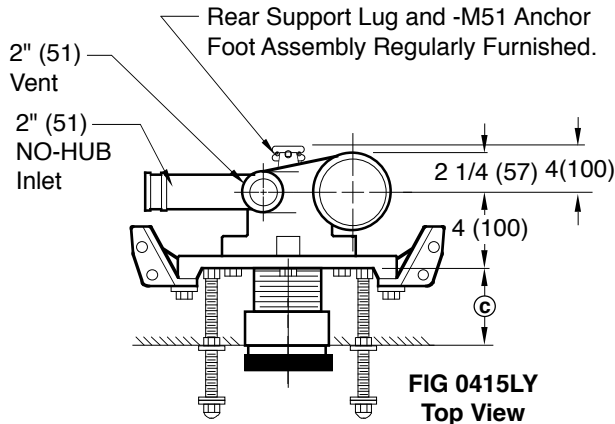
LOCATION

NO-HUB COMPACT FIXTURE SUPPORTS

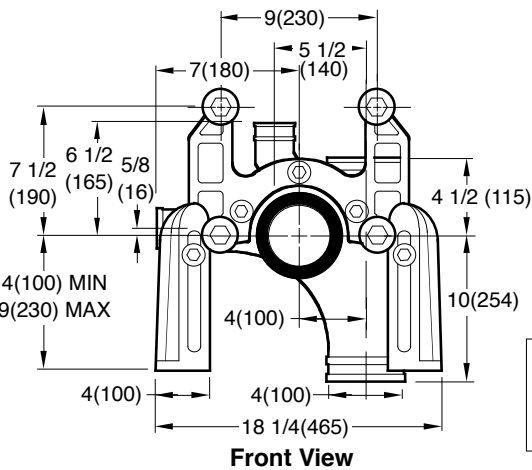
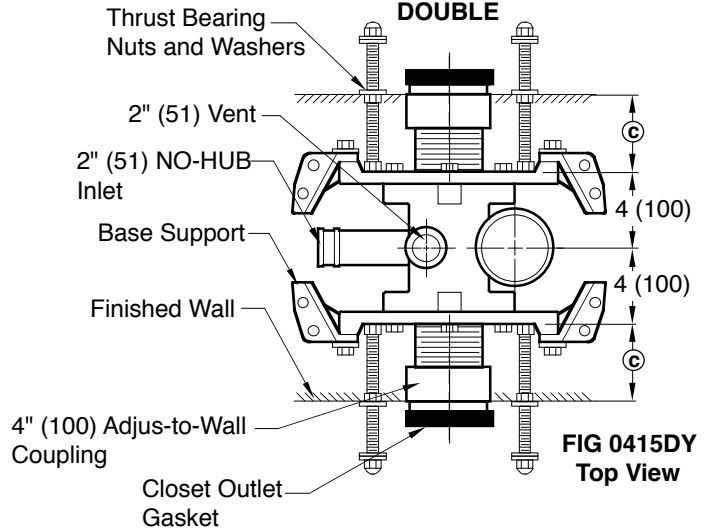
WITH VERTICAL OFFSET FITTINGS FOR SIPHON JET WATER CLOSETS

WITH SANITARY SWEEP INLET ON VENT SIDE

SINGLE



DOUBLE



- Fig. 0415LY . . . NO-HUB Left Hand
- Fig. 0415RY . . . NO-HUB Right Hand
- Fig. 0415DY . . . NO-HUB Double

- NOTE:** Base support must be securely anchored to floor (with four 1/2" (13) bolts provided by contractor).
- NOTE:** When used with concealed flush valve, locate face plate behind supply pipe.
- NOTE:** See reverse side for recommended setting of closet outlet connection and various modifications.

The water closet gasket regularly furnished is made of molded neoprene and designed to fit water closet outlet dimensions and configurations shown in ANSI Standard A112.19.2M-1995, Figure 13B. If gasket is not found to be compatible to fixture due to nonconformance of said fixture to ANSI A112.19.2M, then fixture manufacturer shall be consulted for a suitable gasket recommendation. Jay R. Smith assumes no liability for connections to fixtures which do not conform to these standards.

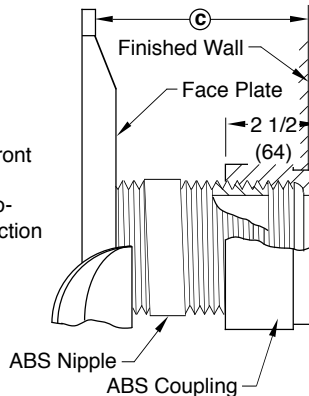
© DIMENSION - ADJUS-TO-WALL TYPE OUTLET CONNECTION

The Smith Adjus-to-Wall outlet connection provides adjustment at the face of the wall at the time the fixture is set; thus, compensating for wall construction variations. The © dimension is measured from the front of the face plate to the finished wall. To properly determine the length of nipple required, deduct 1" (25) from the © dimension. The Adjus-to-Wall coupling will provide 1/2" (13) horizontal adjustment in either direction with the coupling extended 5/16" (8) past face of the finished wall.

© dimension = 4" (100) (regularly furnished) consisting of nipple and Adjus-to-Wall coupling permitting adjustment from 3" (76) min. to 4" (100) max.

*ABS (Regularly Furnished) other lengths PVC.

NOTE: Dimensions shown in parentheses are in millimeters.



NIPPLE LENGTHS AVAILABLE

LENGTH	MIN	©	MAX
2 1/2 (64)	2 1/4 (57)	3 1/4 (83)	
*3 1/4 (83)	3 (76)	4 (100)	
*8 1/4 (210)	8 (205)	9 (230)	
10 (255)	9 3/4 (250)	10 3/4 (275)	
12 (305)	11 3/4 (300)	12 3/4 (325)	
15 (380)	14 3/4 (375)	15 3/4 (400)	
18 (455)	17 3/4 (450)	18 3/4 (475)	

NOTE: When nipple lengths between 3 1/4" (83) and 8 1/4" (210) are specified, the 8 1/4" (210) nipple will be supplied. Nipple must be cut to specified length by others.

DRAWING NUMBER

S0415Y

SIZE

A

SCALE:

NONE

DATE:

4-28-83

APPROVED BY:

TD

CHECKED BY:

JD

DRAWN BY:

BL

0415Y

WE CAN ASSUME NO RESPONSIBILITY FOR USE OF SUPERSEDED OR VOID DATA

DIMENSIONS ARE SUBJECT TO MANUFACTURERS TOLERANCE AND CHANGE WITHOUT NOTICE

E	6-5-14	Revised Callout	TBW	CL
D	7-1-98	Submittal Update	ASL	BS
C	1-26-98	Chgd Callouts	EMB	BS
B	3-7-96	Added Millimeters	EMB	BS
REV.	DATE	DESCRIPTION	BY	CKD. BY

WEIGHT	VOLUME	FIGURE NUMBER
POUNDS	CUBIC FEET	

0415Y