



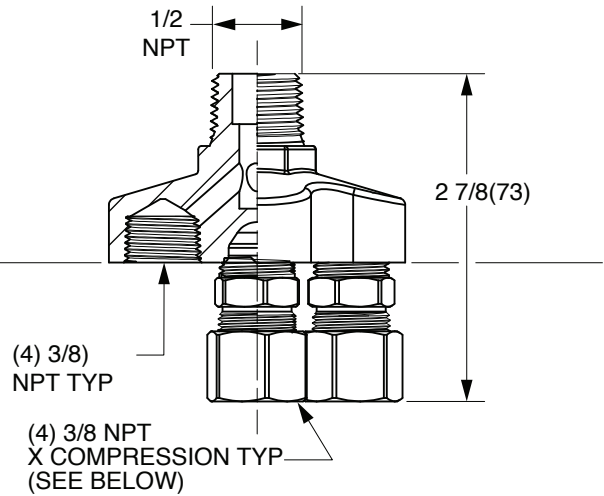
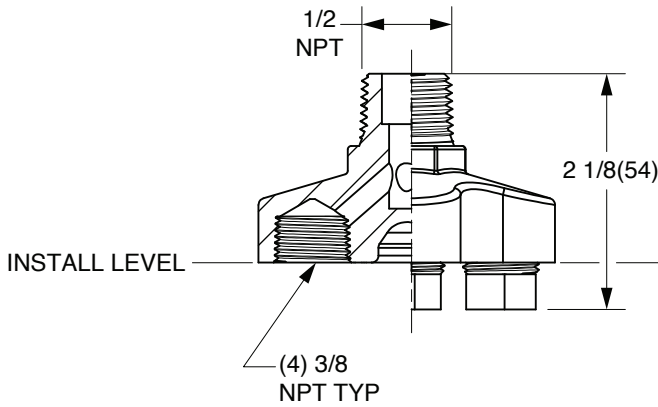
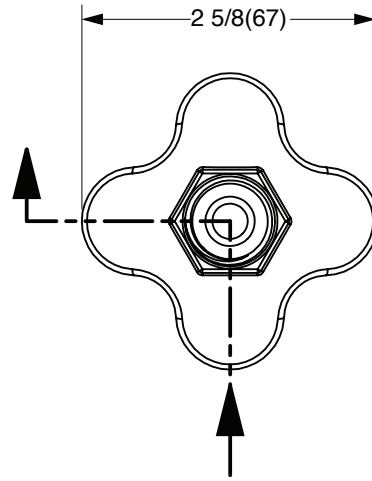
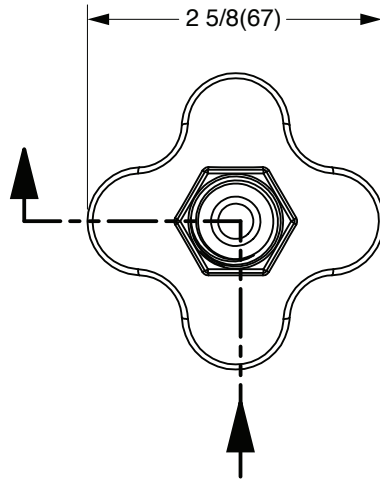
SMITH
FLUID
CONTROLS™

JAY R. SMITH MFG. CO.®
MEMBER OF MORRIS GROUP INTERNATIONAL
POST OFFICE BOX 3237
MONTGOMERY, ALABAMA 36109-0237 (USA)
TEL: 334-277-8520 FAX: 888-377-7818 www.jrsmith.com

LOCATION

DISTRIBUTION UNIT

FUNCTION: Used to divide the output of a trap primer where 2 to 4 trapped drains are installed.



- Fig. 2694DA
(2) 3/8" NPT PLUGS
- Fig. 2694DA-ABS
(2) 3/8" NPT PLUGS

- Fig. 2694DA-500
(4) 3/8" NPT X 1/2"(13) O.D.
COMPRESSION TYP
- Fig. 2694DA-625
(4) 3/8" NPT X 5/8"(16) O.D.
COMPRESSION TYP
- Fig. 2694DA-ABS-500
(4) 3/8" NPT X 1/2"(13) O.D.
COMPRESSION TYP
- Fig. 2694DA-ABS-625
(4) 3/8" NPT X 5/8"(16) O.D.
COMPRESSION TYP

REGULARLY FURNISHED:
Lead Free Brass or ABS Body
with 1/2" NPT Inlet Connection
with Outlet Connection as
indicated by Figure Number
Selected.



PATENT NO. US10,066,378

DRAWING NUMBER S2694DA
 SIZE A
 SCALE: NONE
 DATE: 7-20-18
 APPROVED BY: DP
 CHECKED BY: DP
 DRAWN BY: TBW
 FIGURE NUMBER 2694DA

WE CAN ASSUME NO RESPONSIBILITY FOR USE OF SUPERSEDED OR VOID DATA

B	3-4-20	Rev. Drawing: Add Install Level	MW	JM
A	12-2-19	Added UPC	MW	CL
REV.	DATE	DESCRIPTION	BY	CKD. BY

WEIGHT POUNDS	VOLUME CUBIC FEET
---------------	-------------------

FIGURE NUMBER
2694DA



SMITH
FLUID
CONTROLS™

JAY R. SMITH MFG. CO.®
MEMBER OF MORRIS GROUP INTERNATIONAL
POST OFFICE BOX 3237
MONTGOMERY, ALABAMA 36109-0237 (USA)
TEL: 334-277-8520 FAX: 888-377-7818 www.jrsmith.com

LOCATION

B

DRAWING NUMBER
S2694DA-BS

SIZE
A

SCALE:
NONE

DATE:
7-22-14

APPROVED BY:
JM

CHECKED BY:
CL

DRAWN BY:
TBW

2694DA-BS

FIGURE NUMBER

WE CAN ASSUME NO RESPONSIBILITY FOR USE OF SUPERSEDED OR VOID DATA

DIMENSIONS ARE SUBJECT TO MANUFACTURERS TOLERANCE AND CHANGE WITHOUT NOTICE

TYPICAL ASSEMBLY WITH A DISTRIBUTION UNIT

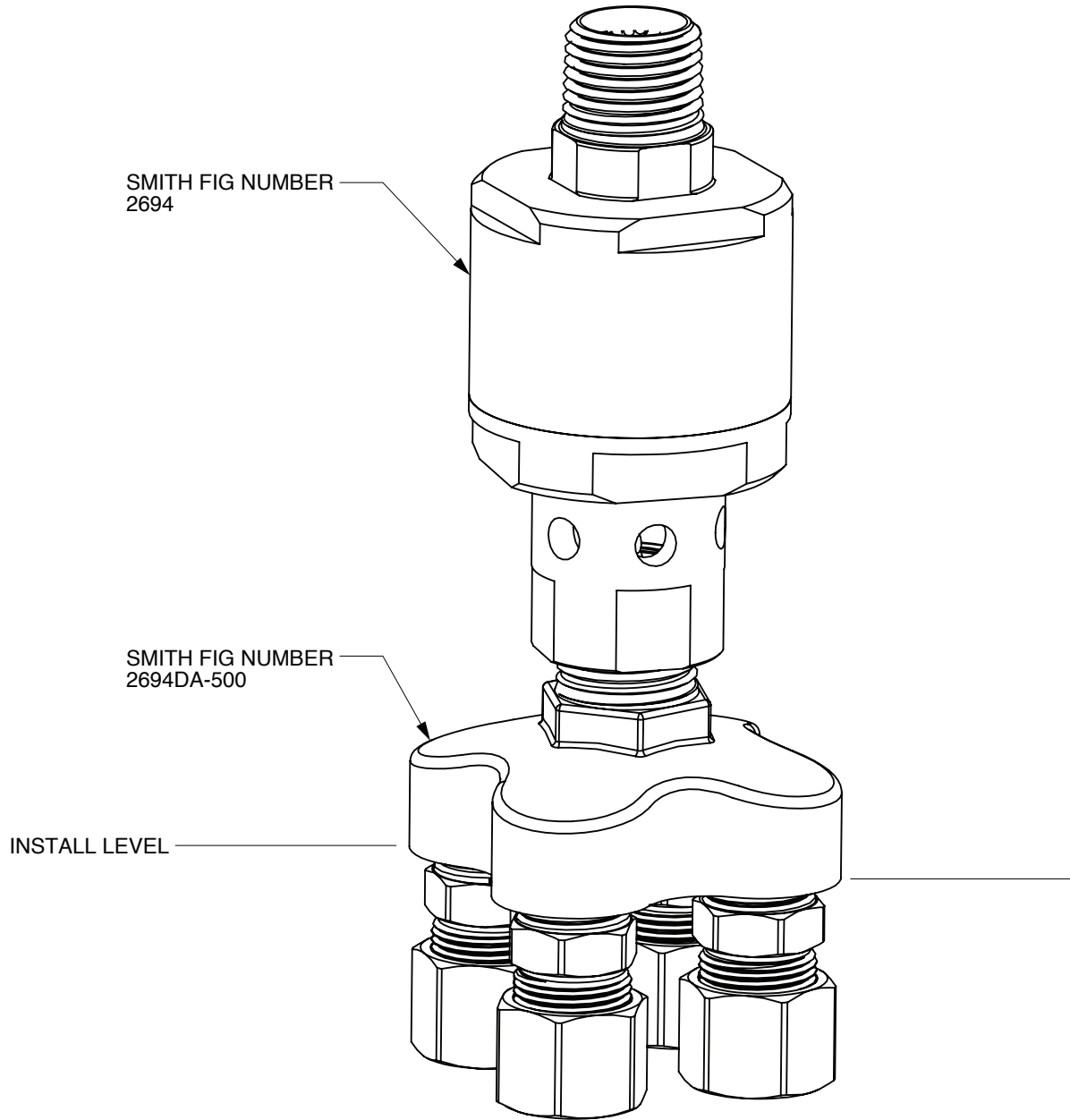


Fig. 2694 with
Fig. 2694DA-500
(4) 3/8" NPT X 1/2" (13) O.D.
COMPRESSION TYP

B	3-4-20	Rev. Drawing: Add Install Level	MW	JM	WEIGHT POUNDS	VOLUME CUBIC FEET	FIGURE NUMBER 2694DA-BS
A	12-2-19	Revised Drawing	MW	CL			
REV.	DATE	DESCRIPTION	BY	CKD. BY			