

C

SMITH® JAY R. SMITH MFG. CO.®
 MEMBER OF MORRIS GROUP INTERNATIONAL
 POST OFFICE BOX 3237
 MONTGOMERY, ALABAMA 36109-0237 (USA)
 TEL: 334-277-8520 FAX: 334-272-7396 www.jrsmith.com



MEMBER OF:

LOCATION

DRAWING NUMBER
S2670

SIZE
A

SCALE:
NONE

DATE:
5-17-85

APPROVED BY:
TD

CHECKED BY:
TD

DRAWN BY:
PJ

2670, 2671, 2673, 2674

FIGURE NUMBER

WE CAN ASSUME NO RESPONSIBILITY FOR USE OF SUPERSEDED OR VOID DATA

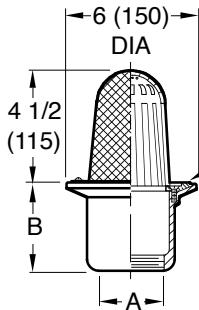
DIMENSIONS ARE SUBJECT TO MANUFACTURERS TOLERANCE AND CHANGE WITHOUT NOTICE

PLANTING AREA DRAINS

FOR SMALL AREAS

FUNCTION: Provides for the drainage of any excess moisture which builds up in planting or flower boxes. Heavy stainless steel mesh screen over the dome prevents soil or stones from entering the drain line.

Free Area
25 SQ IN
(161) SQ CM



THREADED OUTLET
Caulk When Specified

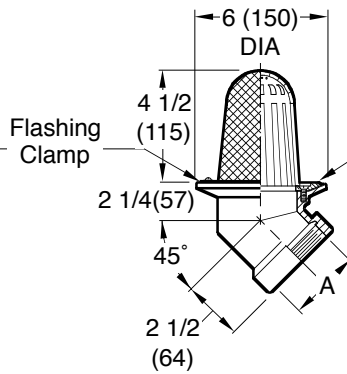


Fig. 2673T
THREADED OUTLET

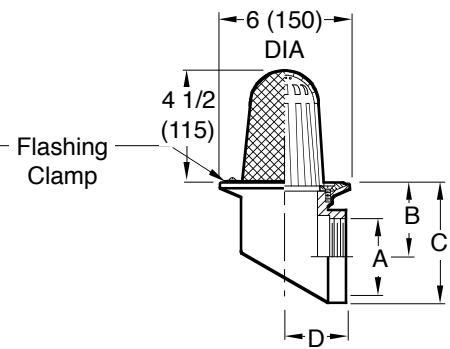


Fig. 2674T
THREADED OUTLET

Fig. No.	A SIZE	B
2670T	02(50), 03(75) thread	2(51)
2670C	02(50) caulk	
2671T	02(50), 03(75), 04(100) thread	4(100)
2671C	02(50) caulk	

A SIZE	02(50)	03(75)	04(100)
B	2 1/2(64)	3(76)	3 1/2(89)
C	4(100)	5 1/4(135)	4(100)
D	2 1/2(64)	3(76)	6 1/4(160)

NOTE: Dimensions shown in parentheses are in millimeters.

REGULARLY FURNISHED:

Duco Cast Iron Body, Bronze Flashing Clamp, Secured Bronze Dome with Stainless Steel Mesh Screen.

VARIATIONS:

- NO-HUB Adaptor (Specify Fig. 2646Y)
- Vandal Proof Dome -U

OPTIONAL MATERIALS:

- Bronze Body -BB
- Galvanized Cast Iron -G
- Nickel Bronze Dome -NB

REV.	DATE	DESCRIPTION	BY	CKD. BY	WEIGHT POUNDS	VOLUME CUBIC FEET	FIGURE NUMBER
C	8-2-07	Added Dim. to Submittal	RN	CL			2670, 2671, 2673, 2674
B	4-14-97	Added Millimeters	EMB	BS			
A	11-17-93	Submittal Update	EMB	BS			



WARNING: Cancer and Reproductive Harm - www.P65Warnings.ca.gov