

L
 DRAWING NUMBER S3250
 SIZE A
 SCALE: NONE
 DATE: 9-19-85
 APPROVED BY: SJM
 CHECKED BY: JD
 DRAWN BY: PJ
 3250, 3251
 FIGURE NUMBER

WE CAN ASSUME NO RESPONSIBILITY FOR USE OF SUPERSEDED OR VOID DATA
 DIMENSIONS ARE SUBJECT TO MANUFACTURERS TOLERANCE AND CHANGE WITHOUT NOTICE

SMITH® JAY R. SMITH MFG. CO.®
 MEMBER OF MORRIS GROUP INTERNATIONAL
 POST OFFICE BOX 3237
 MONTGOMERY, ALABAMA 36109-0237 (USA)
 TEL: 334-277-8520 FAX: 334-272-7396 www.jrsmith.com



CUSTOMER DRIVEN SINCE 1926
 MEMBER OF:

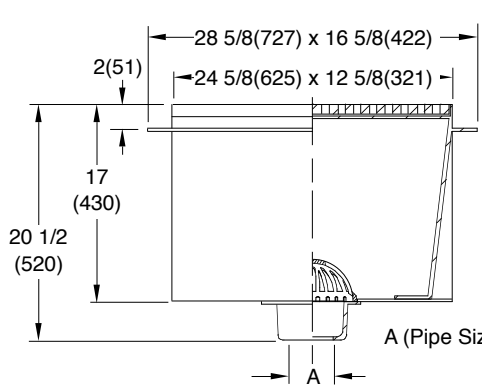
LOCATION

SANI-CEPTOR® ACID RESISTANT COATED FLOOR & INDIRECT WASTE DRAINS

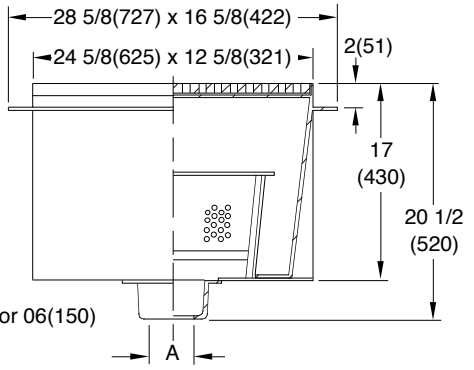
RECTANGULAR NICKEL BRONZE TOP

24 (610) x 12 (305) TOP EXTRA LARGE DEEP RECEPTORS

FUNCTION: Used in kitchens, schools, laundries and other commercial installations where a large volume of waste is anticipated and the ultimate in sanitation is desirable.



Free Area
125 SQ IN
(807) SQ CM



WITH DOME BOTTOM STRAINER

WITH SEDIMENT BUCKET

- | | | |
|-------------------------------------|---------------|-------------------------------------|
| <input type="checkbox"/> Fig. 3250C | CAULK OUTLET | <input type="checkbox"/> Fig. 3251C |
| <input type="checkbox"/> Fig. 3250Y | NO-HUB OUTLET | <input type="checkbox"/> Fig. 3251Y |

FEATURES, OPTIONS & ORDERING INFORMATION

REGULARLY FURNISHED: Fabricated Steel Flanged Receptor with Acid Resistant Coated Interior and Nickel Bronze Rim and Secured Grate. Acid Resistant Coated Dome Bottom Strainer or Stainless Steel Sediment Bucket as Indicated By Figure Number.

VARIATIONS:

- Aluminum Flat Bottom Strainer -FBS
- Flashing Clamp -C
- Polished Aluminum Dome Bottom Strainer -PDBS
- Vandal Proof Screws -U

OPTIONAL MATERIALS:

- All Duco Fabricated Steel Receptor
- All Galvanized Receptor -G

OPTIONAL TOP GRATES/COVERS FOR INDIRECT WASTE APPLICATIONS

SUFFIX

| NUMBER | DESCRIPTION |
|------------------------------|--|
| <input type="checkbox"/> -10 | LESS NB RIM AND GRATE (Use Fig. 3482/3483 Body Less Grate) |
| <input type="checkbox"/> -11 | LESS GRATE W/NB RIM |
| <input type="checkbox"/> -12 | WITH NB RIM AND 1/2 GRATE |
| <input type="checkbox"/> -13 | WITH NB RIM AND 3/4 GRATE |
| <input type="checkbox"/> -41 | WITH NB RIM AND SOLID COVER |
| <input type="checkbox"/> -42 | WITH NB RIM AND 1/2 SOLID COVER |
| <input type="checkbox"/> -43 | WITH NB RIM AND 3/4 SOLID COVER |
| <input type="checkbox"/> -44 | WITH NB RIM AND SOLID COVER WITH 2 1/2"(64) DIA. CENTER HOLE |

NOTE: Dimensions shown in parentheses are in millimeters.

| | | | | | | | |
|------|----------|----------------|----|---------|---------------|-------------------|----------------------|
| L | 01/20/11 | Updated Logo | JJ | TW | WEIGHT POUNDS | VOLUME CUBIC FEET | FIGURE NUMBER |
| K | 2/21/08 | Revised Layout | RN | CL | | | 3250, 3251 |
| REV. | DATE | DESCRIPTION | BY | CKD. BY | | | |