

B

SMITH® JAY R. SMITH MFG. CO.®
 MEMBER OF MORRIS GROUP INTERNATIONAL
 POST OFFICE BOX 3237
 MONTGOMERY, ALABAMA 36109-0237 (USA)
 TEL: 334-277-8520 FAX: 334-272-7396 www.jrsmith.com



LOCATION

HEAVY DUTY FLOOR DRAIN

DRAWING NUMBER
s2295

SIZE
A

SCALE:
NONE

DATE:
5/24/02

APPROVED BY:
CEL

CHECKED BY:
CL

DRAWN BY:
RN

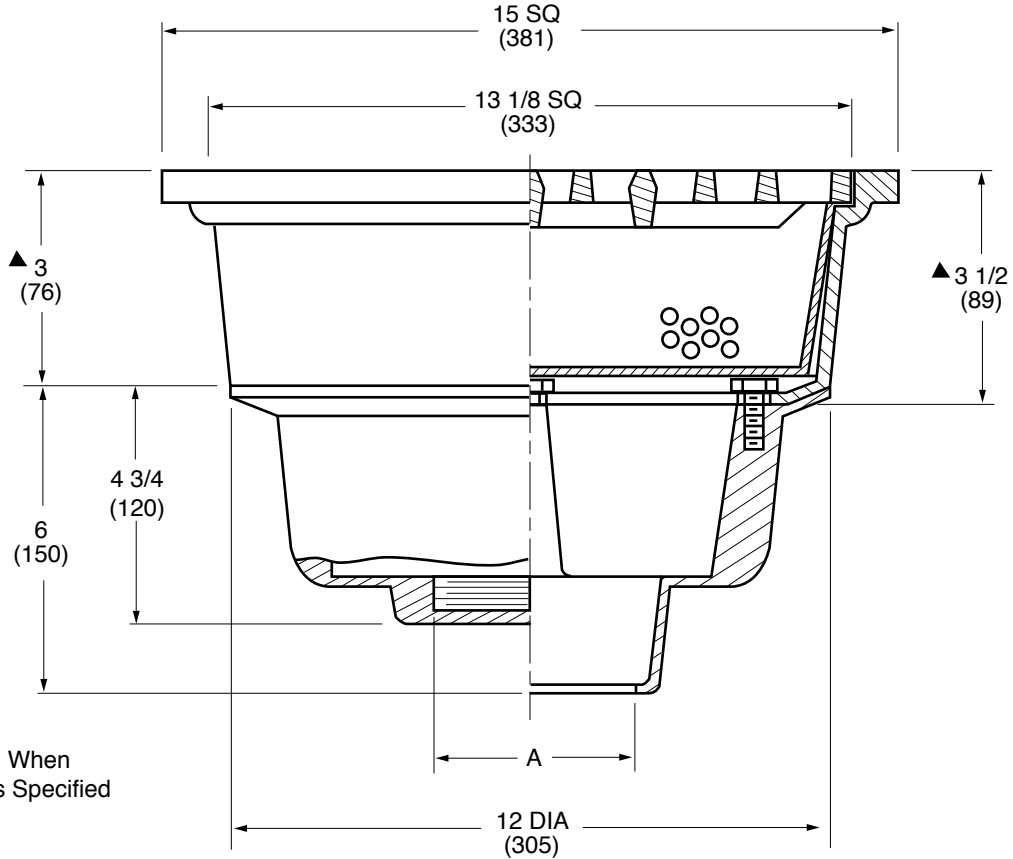
2295

FIGURE NUMBER

WE CAN ASSUME NO RESPONSIBILITY FOR USE OF SUPERSEDED OR VOID DATA

DIMENSIONS ARE SUBJECT TO MANUFACTURERS TOLERANCE AND CHANGE WITHOUT NOTICE

Free Area
 75 SQ IN
 (484 SQ CM)



A (Pipe Size) = 2 (50), 3 (75), 4 (100), 5 (125) or 6 (150)

- FIG 2295C Caulk Outlet
- FIG 2295Y No-Hub Outlet
- FIG 2295T Threaded Outlet

REGULARLY FURNISHED:
 Duco Cast Iron Body and
 Flashing Collar with Secured
 Ductile Iron Grate and
 Stainless Steel Sediment Bucket.

- VARIATIONS:**
- Vandal Proof -U
 - LXH Speedi-Set Extra Heavy
02(50), 03(75) & 04(100)
Sizes Only
 - L Speedi-Set Service Weight
02(50), 03(75) & 04(100)
Sizes Only
 - Side Outlet
 - Flat Bottom Strainer -FBS
 - Quad Close Trap Seal
(Specify Fig. 2692)

- OPTIONAL MATERIALS:**
- Galvanized -G
 - Polished Bronze Top -PB
 - Nickel Bronze Top -NB

NOTE: Dimensions shown in
 parentheses are in millimeters.

REV.	DATE	DESCRIPTION	BY	CKD. BY	WEIGHT POUNDS	VOLUME CUBIC FEET	FIGURE NUMBER
B	6-18-15	Revised Variations	TBW	CL			2295
A	1-17-13	Rev. Var. & Opt. Mat.	TBW	CL			