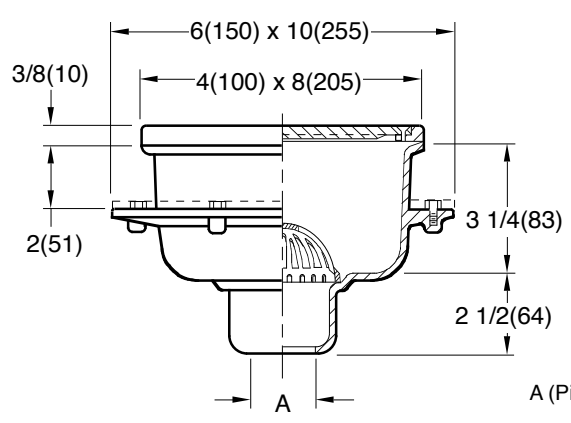


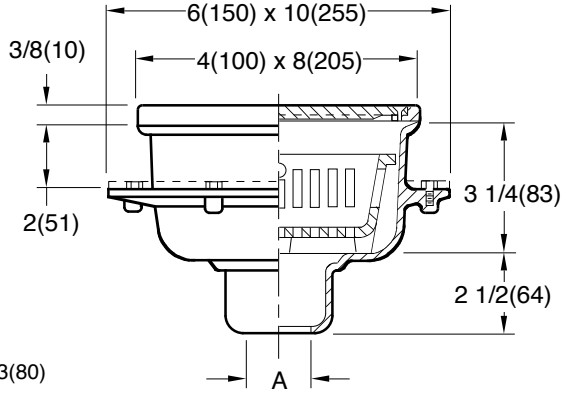
SANI-CEPTOR® ACID RESISTANT COATED FLOOR & INDIRECT WASTE DRAINS

4(100) x 8"(205) RECTANGULAR TOP - SHALLOW RECEPTORS

FUNCTION: Used in kitchens, hospitals, food markets, restaurants, schools and all types of food handling areas where the ultimate in sanitation is desirable and a small capacity receptor is required. Rectangular top is ideal for use under counters and along walls.



Free Area
6.70 SQ IN
(43) SQ CM



WITH DOME BOTTOM STRAINER

WITH SEDIMENT BUCKET

A (Pipe Size) = 02(50) or 03(80)

Fig. 3300C CAULK OUTLET Fig. 3301C
 Fig. 3300Y NO-HUB OUTLET Fig. 3301Y

NOTE: When 02(50) NO-HUB outlet is specified a caulk outlet w/9502 Speedi-Seal gasket will be supplied.

FEATURES, OPTIONS & ORDERING INFORMATION

REGULARLY FURNISHED: Cast Iron Flanged Receptor with Seepage Holes, Acid Resistant Coated Interior, Nickel Bronze Rim and Secured Grate. Aluminum Dome Bottom Strainer or Sediment Bucket as Indicated by Figure Number.

- VARIATIONS:**
- Aluminum Flat Bottom Strainer -FBS
 - Flashing Clamp -C
 - Polished Aluminum Dome Bottom Strainer -PDBS
 - Vandal Proof Screws -U

- OPTIONAL MATERIALS:**
- All Duco Cast Iron Receptor -CI
 - All Galvanized Receptor -G
 - Stainless Steel Receptor (See Fig. 9740)

SUFFIX NUMBER

| RECTANGULAR RIM | SUFFIX NUMBER | DESCRIPTION |
|--------------------------|---------------|---|
| <input type="checkbox"/> | -10 | Less NB Rim and Grate |
| <input type="checkbox"/> | -11 | Less Grate w/NB Rim |
| <input type="checkbox"/> | -12 | With NB Rim and 1/2 Grate |
| <input type="checkbox"/> | -21 | With NB Rim and Grate with 4"(100) DIA NB Funnel |
| <input type="checkbox"/> | -22 | With NB Rim and Grate with 6"(150) DIA NB Funnel |
| <input type="checkbox"/> | -25 | With NB Rim and Grate with 8 1/4(210) x 3 1/4(83) x 4 1/2"(115) High Oval NB Funnel |
| <input type="checkbox"/> | -26 | With NB Rim and Grate with 6(150) x 2 1/2(64) x 1"(25) High Oval NB Funnel |
| <input type="checkbox"/> | -41 | With NB Rim and Solid Cover |
| <input type="checkbox"/> | -42 | With NB Rim and 1/2 Solid Cover |

NOTE: Dimensions shown in parentheses are in millimeters.

DRAWING NUMBER **S3300**
 SIZE **A**
 SCALE: **NONE**
 DATE: **9-19-85**
 APPROVED BY: **SJM**
 CHECKED BY: **JD**
 DRAWN BY: **PJ**
3300, 3301
 DIMENSIONS ARE SUBJECT TO MANUFACTURERS TOLERANCE AND CHANGE WITHOUT NOTICE

| | | | | | | | |
|------------------|--|---|-------------------------|----------------------|------------------|----------------------|--|
| G F E D | 5-24-17 6-6-12 01/20/11 8-23-96 | Revised Variations Added Note Updated Logo Added Millimeters | TBW TBW JJ EMB | BW CL TW BS | WEIGHT POUNDS | VOLUME CUBIC FEET | FIGURE NUMBER <h1 style="margin: 0;">3300, 3301</h1> |
| REV. | DATE | DESCRIPTION | BY | CKD. BY | | | |