

COMPACT FIXTURE SUPPORTS

FOR SIPHON JET WATER CLOSETS WITH VERTICAL CENTER LINE FITTINGS

FLOOR MOUNT FRAME FOR NO-HUB SYSTEMS

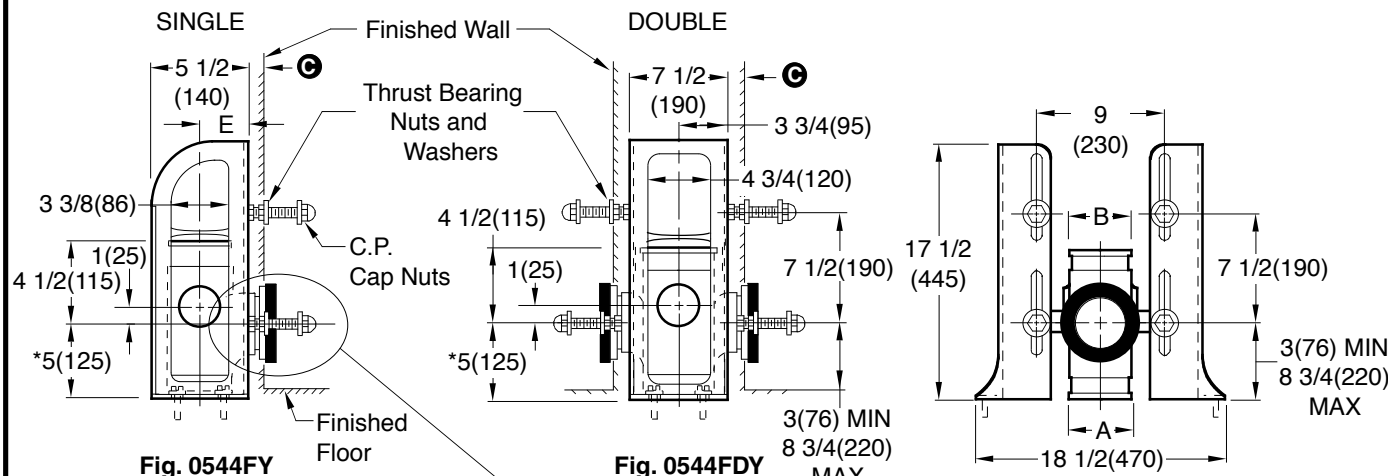
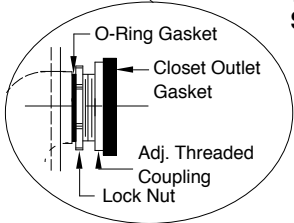


Fig. 0544FY
Side View

Fig. 0544FDY
Side View

Front View



- Fig. 0532FY . . . 3"(75) NO-HUB w/2"(51) Vent
- Fig. 0533FY . . . 3"(75) NO-HUB w/3"(76) Vent
- ▲ Fig. 0542FY . . . 4"(100) NO-HUB w/2"(51) Vent
- ▲ Fig. 0544FY . . . 4"(100) NO-HUB w/4"(100) Vent
- ▲ Fig. 0544FDY . . . 4"(100) NO-HUB Double w/4"(100) Vent

NOTES:

1. *5"(125) dimension is to bottom of fitting.
2. Coupling should extend 5/16"(8) beyond finished wall.
3. Double support for use with gravity flush tank type water closets only.
4. Longer closet studs and couplings available when required.
- 1"(25) MIN to 1 1/4"(32) MAX regularly furnished. Other dimensions available upon request.
- ▲ 5. Back of fitting extends beyond frame 3/4"(19) for 4"(100) sizes. Recommend use with 2 x 8 studs only.

A SIZE	B SIZE	E
3(75)	2(51)	3(76)
3(75)	3(76)	3(76)
4(100)	2(51)	3 1/2(89)
4(100)	4(100)	3 1/2(89)

INSTALLATION INSTRUCTIONS

- A. The center of the stack should be located by the "E" dimension shown on the table. "E" dimension for 0544FDY is 3 3/4(95).
- B. To determine the height of the stack in relation to the finished floor, subtract the closet outlet c/l dimension from the 5"(125) dimension.
- C. The fitting should now be coupled into the stack.
- D. Assemble the faceplates temporarily to the fitting, mark the location of the bolt holes in the slab, and then secure faceplates to the floor.
- E. Faceplates are fastened to the arms of the adaptor by means of the fixture studs, nuts and washers provided.
- F. Thread locknut on male thread of adjustable coupling approximately 1"(25) and push "O"-Ring against locknut.
- G. Apply No. 90 Smith Seal to male threads on coupling. Install coupling and adjust it to extend 5/16"(8) beyond finished wall. Thread locknut snugly.
- H. Assemble the bearing nuts and washers to the fixture supporting studs. The fixture studs should extend 2 1/4"(51) beyond finished wall.
- I. Adjust bearing nuts so that washers extend 1/16"(2) beyond finished wall.
- J. After wall is erected, remove any plaster grout touching the fixture studs, bearing nuts washers and coupling.
- K. Place gasket in closet recess and set closet on studs protruding from wall making sure that closet outlet is centered on coupling.
- L. Place fiber washers on studs. Apply the two bottom and top left cap nuts, tighten securely. Apply the top right cap nut hand tight and snug up 1/4 turn with wrench.

NOTE: Dimensions shown in parentheses are in millimeters.

DRAWING NUMBER: S0532FY
 SIZE: A
 SCALE: NONE
 DATE: 1-17-86
 APPROVED BY: SB
 CHECKED BY: JD
 DRAWN BY: CM
 DIMENSIONS ARE SUBJECT TO MANUFACTURERS TOLERANCE AND CHANGE WITHOUT NOTICE

WE CAN ASSUME NO RESPONSIBILITY FOR USE OF SUPERSEDED OR VOID DATA

REV.	DATE	DESCRIPTION	BY	CKD. BY	WEIGHT POUNDS	VOLUME CUBIC FEET	FIGURE NUMBER
	11-19-13	Revised Dimensions, Notes	TBW	CL			0532FY, 0533FY, 0542FY, 0544FY
	4-10-13	Remove Notes	TBW	CL			
	1-27-06	Revised Note & Removed Note	RN	CL			
	8-26-05	Revised Note	TBW	CL			