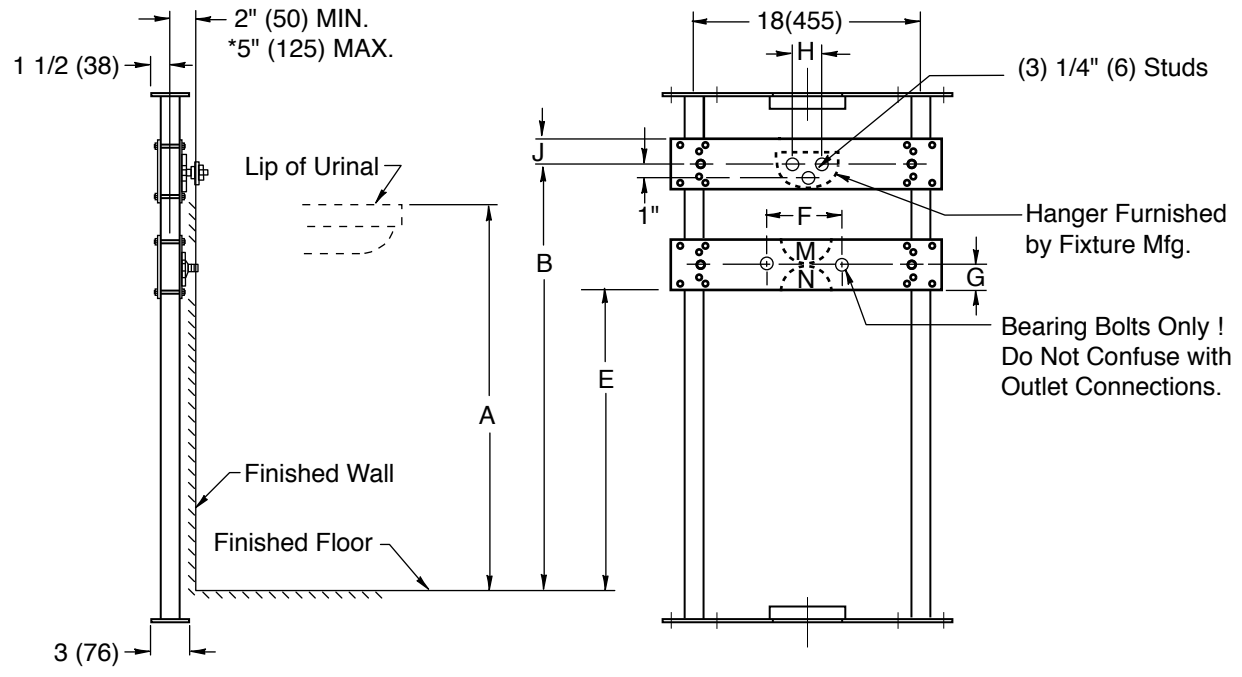


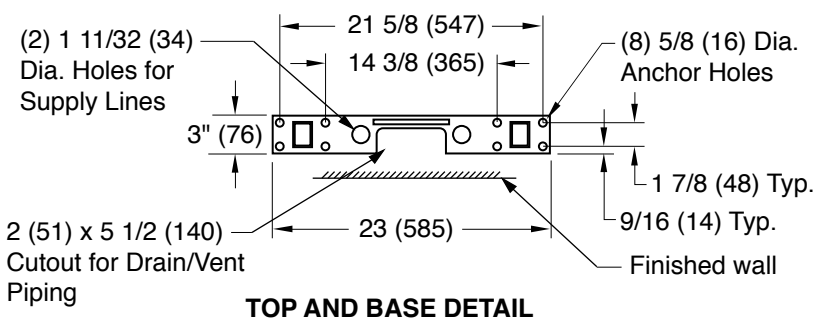
**LABOR SAVER® URINAL SUPPORT FLOOR MOUNTED TYPE  
 WITH TOP SUPPORTING PLATE AND BOTTOM BEARING PLATE  
 FOR BLOW-OUT AND WASHOUT URINALS WITH CONCEALED WALL HANGER**



**NOTE:** The rough-in dimensions listed on this drawing are based on current information available to Jay R. Smith by the fixture manufacturers. We recommend that you verify these dimensions with the fixture manufacturer. We will not accept responsibility for rough-in dimension changes by the fixture manufacturer.

**NOTE:** \*This dimension can be increased when fixture support is to be installed behind the wall (specify when required and wall thickness).

**NOTE:** Dimensions shown in parenthesis are in millimeters.



**ROUGH-IN TABLE**

FIXTURE MFG.		NAME		NUMBER		SIZE		
A	B	E	F	G	H	J	M	N

DRAWING NUMBER: **s0624**  
 SIZE: **A**  
 SCALE: **NONE**  
 DATE: **04/10/01**  
 APPROVED BY: **AM**  
 CHECKED BY: **CR**  
 DRAWN BY: **JJ**  
**0624**  
 DIMENSIONS ARE SUBJECT TO MANUFACTURER'S TOLERANCE AND CHANGE WITHOUT NOTICE.

REV.	DATE	DESCRIPTION	BY	CKD. BY	WEIGHT POUNDS	VOLUME CUBIC FEET	FIGURE NUMBER <b>0624</b>
F	9-27-10	Added ® to LABOR SAVER	RN	CL			
E	12-29-03	Revised Dwg. & Chart	RN	AM			
D	12/05/02	Revised per George Flegel	JJ	AM			
C	7-10-02	Changed "E" & Chart Size	RN	AM			