



JAY R. SMITH MFG. CO.
 MEMBER OF MORRIS GROUP INTERNATIONAL
 POST OFFICE BOX 3237
 MONTGOMERY, ALABAMA 36109-0237 (USA)
 TEL: 334-277-8520 FAX: 334-272-7396 www.jrsmith.com



MEMBER OF:

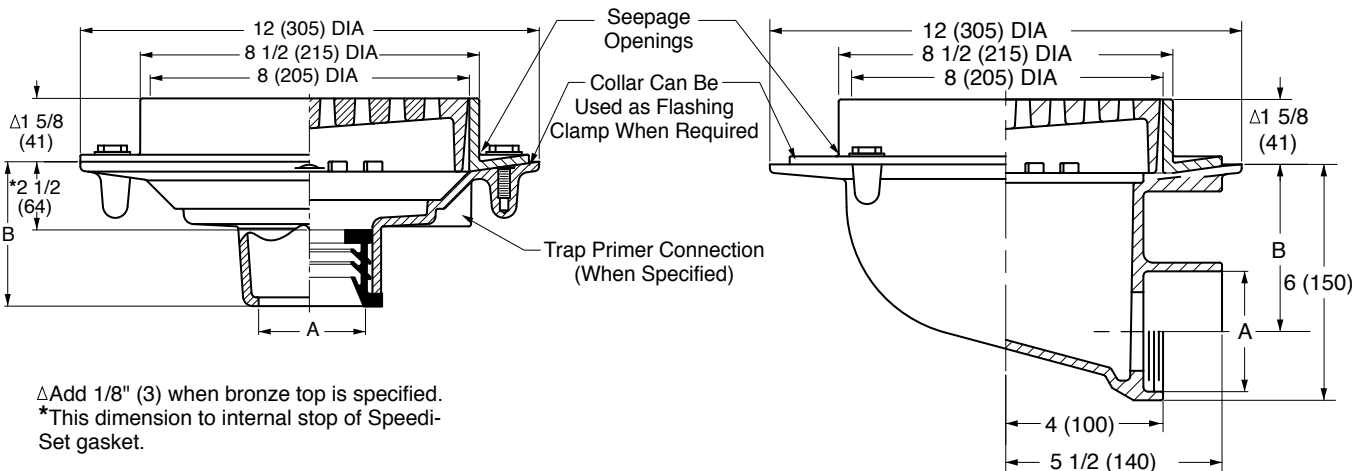
LOCATION

FLOOR DRAINS WITH 8 1/2" (215) ROUND TOPS

HEAVY DUTY DRAINS WITH TRACTOR GRATE

Load Rating: Heavy Duty having a Safe Live (Static) Load between 5,000 lbs. (2,250 kg) and 7,499 lbs (3,375 kg) per ASME A112.6.3 Floor Drain Standard. For the specific Safe Live Load rating of any grate, contact the Smith representative or factory direct.

Free Area
 13 SQ IN
 (84) SQ CM



ΔAdd 1/8" (3) when bronze top is specified.
 *This dimension to internal stop of Speedi-Set gasket.

- Fig. 2120C.....CAULK OUTLET
- Fig. 2120Y.....NO-HUB OUTLET
- Fig. 2120T.....THREADED OUTLET

- Fig. 2125C.....CAULK OUTLET
- Fig. 2125T.....THREADED OUTLET

A SIZE	02 (50)	03 (75)	04 (100)	06 (150)
B	3 3/4 (95) for Caulk, NO-HUB, and Speedi-Set, NO-HUB		3 3/4 (95) NO-HUB	
	2 (51) for Threaded		Only	

A SIZE	02(50)	03(75)	04(100)
B	4 1/4(110)	3 3/4(95)	3 1/4(83)

REGULARLY FURNISHED:

Duco Cast Iron Body and Flashing Collar with Cast Iron Tractor Grate.

VARIATIONS:

- Closure Plug -XP (Fig. 2110 only)
- Dome Grate -D
- Flat Bottom Strainer -FBS (Fig. 2120 only)
- L Speedi-Set Service Weight (Fig. 2120 only)
- LXH Speedi-Set Extra Heavy (Fig. 2120 only)
- NO-HUB Adaptor (Specify Fig. 2646Y) (Fig. 2125 only)
- Sediment Bucket -B
- Square Top -S
- Trap Primer Connection -P050 1/2" (13) & -P075 3/4" (19)
- Vandal Proof Grate -U
- Heel Proof Grate -Q45
- Quad Close Trap Seal (Specify Fig. 2692) (Fig. 2120 Only)

OPTIONAL MATERIALS:

- Ductile Iron Grate -M
- Galvanized Cast Iron -G
- Nickel Bronze Top -NB
- Polished Bronze Top -PB

NOTE: Dimensions shown in parentheses are in millimeters.
 *Not available on Fig. 2120T threaded outlet drain.

M	9-11-19
L	7-22-19
K	6-17-19
J	6-10-15
H	7/29/10

Rev. Fig.Opts and Variations
 Added Load Rating
 Removed Function
 Revised Variations
 Revised Size Table

MW	CL
MW	JM
MW	JM
TBW	CL
RN	CL

WEIGHT
 POUNDS

VOLUME
 CUBIC FEET

FIGURE NUMBER

2120, 2125

REV.	DATE	DESCRIPTION	BY	CKD. BY
------	------	-------------	----	---------



WARNING: Cancer and Reproductive Harm - www.P65Warnings.ca.gov

DRAWING NUMBER
 s2120

SIZE
 A

SCALE:
 NONE

DATE:
 5-17-85

APPROVED BY:
 TD

CHECKED BY:
 TD

DRAWN BY:
 PJ

2120, 2125

FIGURE
 NUMBER

WE CAN ASSUME NO RESPONSIBILITY FOR USE OF SUPERSEDED OR VOID DATA

DIMENSIONS ARE SUBJECT TO MANUFACTURERS TOLERANCE AND CHANGE WITHOUT NOTICE