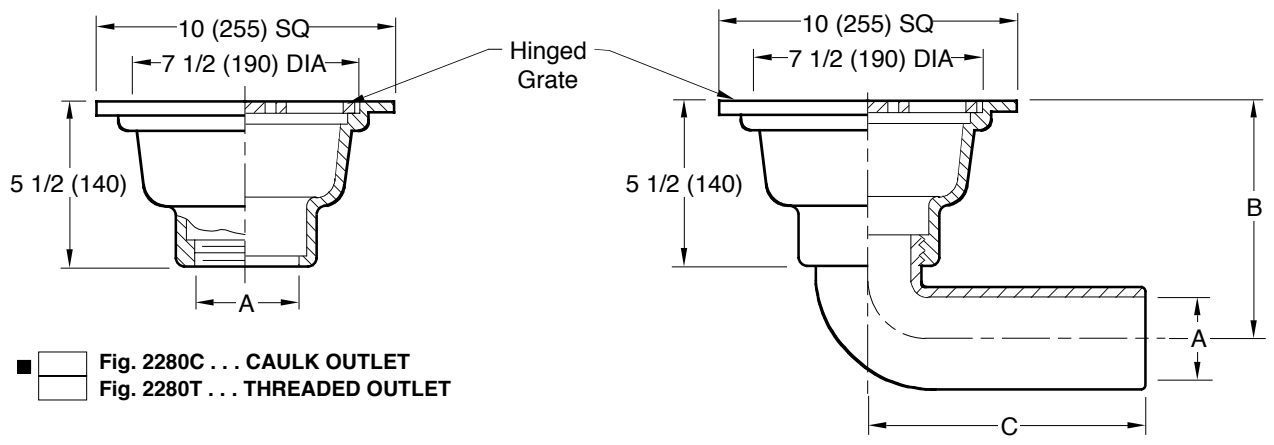


FLOOR DRAIN

LIGHT DUTY DRAINS - HINGED GRATE

Load Rating: Light Duty having a Safe Live (Static) Load less than 2,000 lbs. (900 kg) per ASME A112.6.3 Floor Drain Standard. For the specific Safe Live Load rating of any grate, contact the Smith representative or factory direct.

Free Area
 16 SQ IN
 (103) SQ CM



- Fig. 2280C . . . CAULK OUTLET
- Fig. 2280T . . . THREADED OUTLET

Fig. 2285S. . . SPIGOT OUTLET
 SIZED FOR NO-HUB AND/OR SERVICE WEIGHT

A (Pipe Size) = 02(50), 03(75) or 04(100)

- Meets ANSI Spec A112.21.1M
 02(50), 03(75) or 04"(100) sizes only.
 Meets U.S. Gov't Spec.WW-P-541-b,
 Type 220, 02(50)and 03"(80) sizes only.
 See Fig. 2130 for 04"(100) size.

| A SIZE | B | C |
|-----------|-------------|---------|
| 02 (50) | 8 (205) | 7 (180) |
| 03 (75) | 8 1/4 (210) | 7 (180) |
| 04 (100) | 8 1/2 (215) | 7 (180) |

REGULARLY FURNISHED:

Duco Cast Iron Body and
 Slotted Hinged Grate.

VARIATIONS:

- NO-HUB Adaptor (Specify Fig. 2646Y) (Fig. 2280 only)
- Sediment Bucket -B
- Vandal Proof Top -U
- T Threaded Outlet (Fig. 2280 only)
- Quad Close Trap Seal (Specify Fig. 2692) (Fig. 2280 Only)

OPTIONAL MATERIALS:

- Galvanized Cast Iron -G

NOTE: Dimensions shown in parentheses are in millimeters.

DRAWING NUMBER S2280
 SIZE A
 SCALE: NONE
 DATE: 5-17-85
 APPROVED BY: TD
 CHECKED BY: TD
 DRAWN BY: PJ
 FIGURE NUMBER 2280, 2285

WE CAN ASSUME NO RESPONSIBILITY FOR USE OF SUPERSEDED OR VOID DATA

| REV. | DATE | DESCRIPTION | BY | CKD. BY | WEIGHT POUNDS | VOLUME CUBIC FEET | FIGURE NUMBER |
|------|------|-------------|----|---------|---------------|-------------------|-------------------|
| | | | | | | | 2280, 2285 |