

LABOR SAVER® LAVATORY SUPPORTS

FLOOR MOUNTED TYPE WITH CONCEALED ARMS

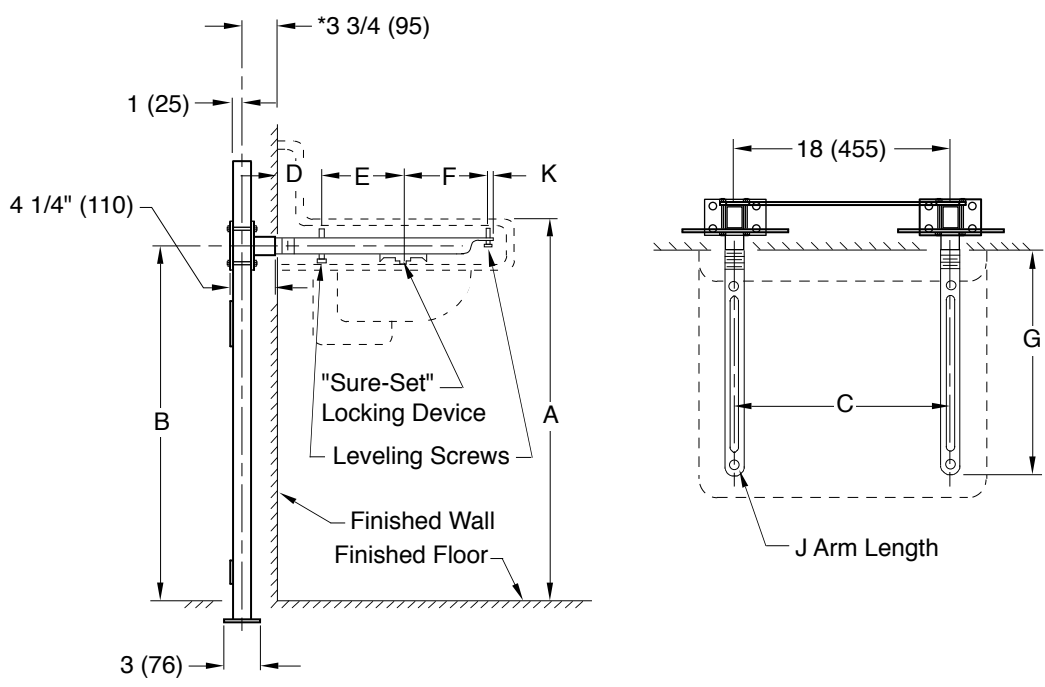
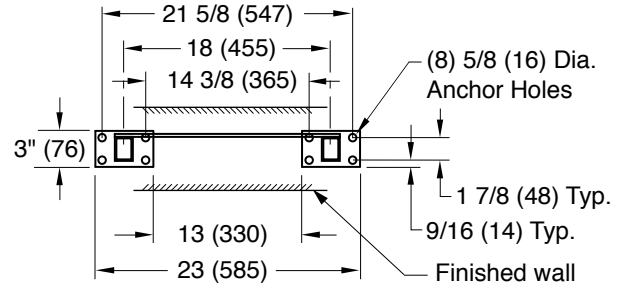


Fig. 0710 . . . FOR HIGH BACK LAVATORIES (shown)

NOTE: The rough-in dimensions listed on this drawing are based on current information available to Jay R. Smith by the fixture manufacturers. We recommend that you verify these dimensions with the fixture manufacturer. We will not accept responsibility for rough-in dimension changes by the fixture manufacturer.

NOTE: *This dimension can be increased when fixture support is to be installed behind the wall. (Specify when required and wall thickness).

NOTE: Dimensions shown in parentheses are in millimeters.



BASE DETAIL

ROUGH-IN TABLE

FIXTURE MFG.		NAME		NUMBER		SIZE		
A	B	C	D	E	F	G	J	K

DRAWING NUMBER: S0710
 SIZE: A
 SCALE: NONE
 DATE: 12/29/00
 APPROVED BY: AM
 CHECKED BY: CR
 DRAWN BY: JJ
 FIGURE NUMBER: 0710
 DIMENSIONS ARE SUBJECT TO MANUFACTURERS TOLERANCE AND CHANGE WITHOUT NOTICE
 WE CAN ASSUME NO RESPONSIBILITY FOR USE OF SUPERSEDED OR VOID DATA

D	01/20/11	Updated Logo	JJ	TW	WEIGHT	VOLUME	FIGURE NUMBER
C	07/23/08	Revised Plate Configuration	JJ	CL	POUNDS	CUBIC FEET	0710
B	11/06/02	Changed per George Flegel	JJ	AM			
A	12/19/01	Changed Hole Size in Base	JJ	AM			
REV.	DATE	DESCRIPTION	BY	CKD. BY			