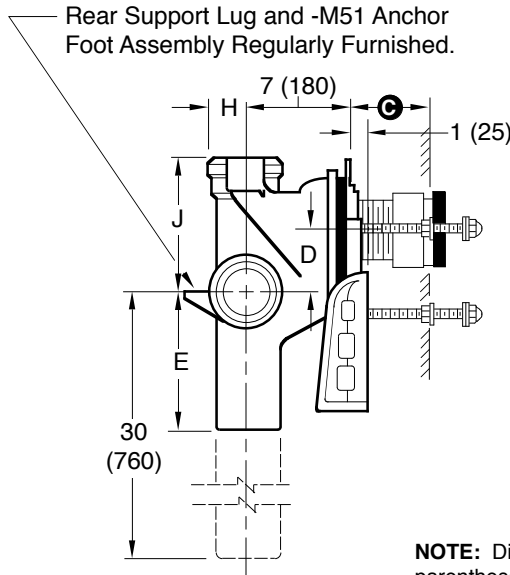


# ADJUSTABLE FIXTURE SUPPORTS

## SHALLOW ROUGH-IN TYPE FOR BLOWOUT WATER CLOSETS

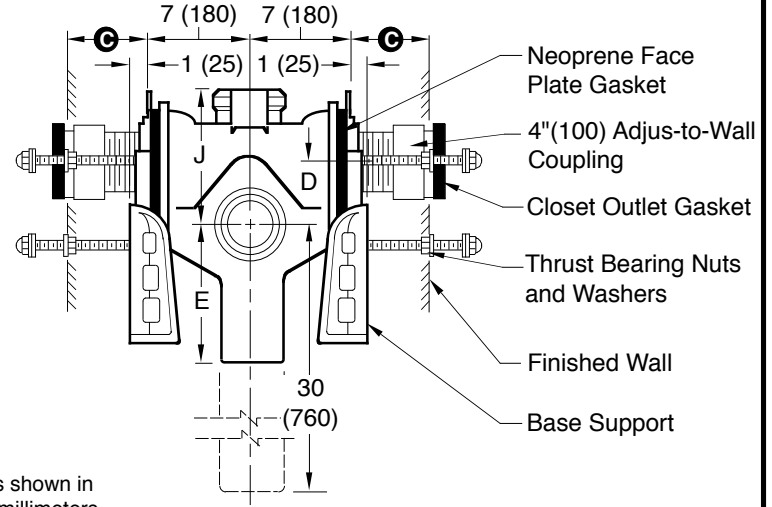
### VERTICAL FITTINGS

#### SINGLE



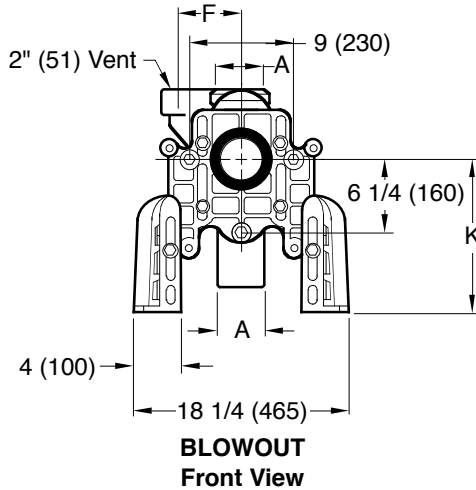
**Fig. 0330**  
Side View

#### DOUBLE



**Fig. 0330D**  
Side View

**NOTE:** Dimensions shown in parentheses are in millimeters.



**BLOWOUT**  
Front View

The water closet gasket regularly furnished is made of molded neoprene and designed to fit water closet outlet dimensions and configurations shown in ANSI Standard A112.19.2M-1982, Figure 13B. If gasket is not found to be compatible to fixture due to nonconformance of said fixture to ANSI A112.19.2M, then fixture manufacturer shall be consulted for a suitable gasket recommendation. Jay R. Smith assumes no liability for connections to fixtures which do not conform to these standards.

- Fig. 0330 . . . CAULK
- Fig. 0330D . . . CAULK DOUBLE
- Fig. 0360 . . . CAULK LONG BARREL
- Fig. 0360D . . . CAULK DOUBLE LONG BARREL

**NOTE:** Base support must be securely anchored to floor (with four 1/2" (13) bolts provided by contractor).

**NOTE:** 1 1/2" (38) or 2" (51) tapped inlet available. Add suffix -N.

**NOTE:** When used with concealed flush valve locate face plate behind supply pipe.

**NOTE:** See opposite side for  $\odot$  dimension and optional outlet connections.

A SIZE	D BLOWOUT		E	F	H	J	K BLOWOUT	
	MIN	MAX					MIN	MAX
4 (100)	2 3/4 (70)	5 1/2 (140)	10 (255)	5 1/4 (135)	3 (76)	9 (230)	10 3/4 (275)	15 3/4 (400)
5 (125)	2 7/8 (73)	5 3/4 (145)	11 1/2 (290)	6 1/4 (160)	3 1/2 (89)	11 1/2 (290)	10 3/4 (275)	15 3/4 (400)
6 (150)	2 3/4 (70)	5 1/2 (145)	11 1/2 (290)	6 1/4 (160)	4 (100)	11 1/2 (290)	10 3/4 (275)	15 3/4 (400)

B  
DRAWING NUMBER  
S0330

A  
SIZE

NONE  
SCALE:

12-19-89  
DATE:

TD  
APPROVED BY:

CR  
CHECKED BY:

EMB  
DRAWN BY:

0330, 0360

WE CAN ASSUME NO RESPONSIBILITY FOR USE OF SUPERSEDED OR VOID DATA

DIMENSIONS ARE SUBJECT TO MANUFACTURERS TOLERANCE AND CHANGE WITHOUT NOTICE

REV.	DATE	DESCRIPTION	BY	CKD. BY	WEIGHT POUNDS	VOLUME CUBIC FEET	FIGURE NUMBER
	1-30-98 4-22-94	Added Millimeters Submittal Update	EMB EMB	BS BS			<b>0330, 0360</b>

# MODIFICATIONS & VARIATIONS FOR SIPHON JET WATER CLOSETS

## RECOMMENDED SETTING OF CLOSET OUTLET CONNECTION AND FIXTURE STUDS

Manufacturers have slight differences in the depth of the closet horn and flange thickness of their closets. Usually the fixture support closet connection should extend 5/16" (8) beyond face of finished wall (Dimension "R") and the fixture studs 2 1/4" (57) (Dimension "X"). For exact dimensions please use the formulas below.

**DETAIL A** Formula for "R" is:  $S + 1/16" (2) - D = R$ .  
 S = Depth of closet horn  
 1/16" (2) = Distance closet is to set away from finished wall.  
 D = 1/2" (13) for felt gasket and 3/8" (10) for neoprene gasket.  
 R = Distance coupling should extend beyond finished wall.  
 NOTE: When the fixture is installed, closet gasket must be compressed sufficiently to assure a gas and water-tight seal.

**DETAIL B** Formula for "X" is:  $Y + 1/16" (2) + 9/16" (14) = X$ .  
 Y = Thickness of closet wall flange.  
 1/16" (2) = Distance closet is to set away from finished wall.  
 X = Distance supporting stud should extend beyond finished wall.  
 NOTE: Bearing nuts and washers must be set to take full loading from the fixture allowing 1/16" (2) clearance between fixture and wall.

**NOTE:** Dimensions shown in parentheses are in millimeters.

## OPTIONAL CLOSET OUTLET CONNECTIONS

**TYPE NO. 2**

**NOTE:** Coupling should extend beyond the wall adequately to apply sufficient and uniform pressure on the gasket to produce a watertight seal. It is the Installer's responsibility to make this final adjustment.

The type 2M outlet connection is used with floor mounted back outlet bowls. The 2M connection is an integral nipple/coupling whose length is specified by the © dimension. The 2M can accommodate a smaller © dimension than the type 2 nipple/coupling.

	MIN	©	MAX
TYPE 2M	1 1/4" (32)	5 1/2" (140)	

\*Type No. 2 should be used when Max. dimension is exceeded.

**NOTE:** The 4" (100) adjustable coupling is provided with vertical slotted ears which permit a 1/2" (13) adjustment up or down for variation in finished floor height.

**SUFFIX -M12 EXPOSED FLUSH VALVE SUPPLY SUPPORT**

Provides support and alignment for the supply pipe to an exposed flush valve; must be specified for either 1" (25) copper tube or 1" (25) iron pipe.

**TYPE -M73** Closet outlet connector for use with stainless steel fixture

**TYPE -M74** Closet outlet for use with stainless steel fixture

**SUFFIX -M13 TILING FRAME - POLYSTYRENE**

**-M40 WATER CLOSET SUPPORT FOR WIDE PIPE CHASE**

Illustration shows single installation. For double (back to back) installations specify whether -M40 variation is required on one side or both sides of pipe chase. When ordering, the pipe chase width and © dimension should also be specified.

FIGURE NUMBER	D	2-27-12	Rev. Note Type 2 outlet Added Note Added Millimeters	TBW	AM	WEIGHT POUNDS	VOLUME CUBIC FEET	FIGURE NUMBER
	C	12-10-03		RN				
	B	2-26-96		EMB	BS			
REV.	DATE	DESCRIPTION	BY	CKD. BY				

**100/400 Series Back Sheet**

DRAWING NUMBER S0100BS  
 SCALE: NONE  
 DATE: 1-16-85  
 APPROVED BY: JD  
 CHECKED BY: CR  
 DRAWN BY: VGD  
 DIMENSIONS ARE SUBJECT TO MANUFACTURERS TOLERANCE AND CHANGE WITHOUT NOTICE