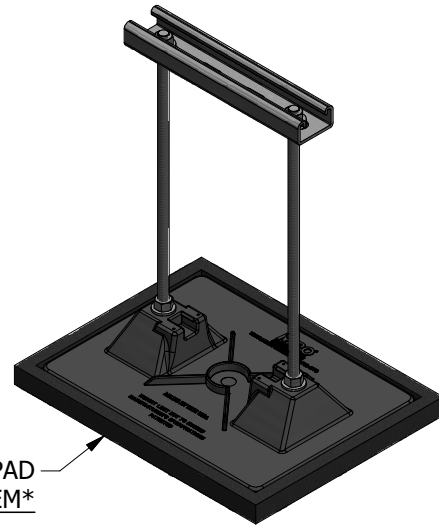


**TOP VIEW**



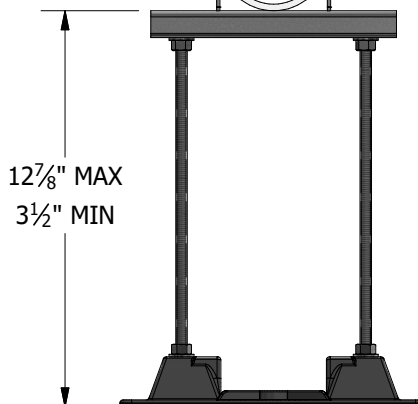
**ISOMETRIC VIEW**



**SIDE VIEW**

PIPE/CONDUIT FOR ILLUSTRATION ONLY

STRUT CLAMP  
\*ACCESSORY ITEM OR PROVIDED BY OTHERS\*



**END VIEW**

**ACCESSORIES**

- Strut Clamp - Order to Pipe O.D.
- 7½" x 10" Support pad
- Eternabond® 2-sided tape

**PRODUCT DESCRIPTION**

A pipe support with "strut" used to support roof-mounted electrical conduit, solar piping, gas pipes and other mechanical piping.

Pipes rest on a 8" length of strut which is mounted on the base. The pipes can be fastened by using the appropriate pipe clamp.

**KEY INFORMATION**

- Designed to support conduit (ganged) cable trays or other mechanical piping.
- Adjustable from the factory set maximum height of 12-7/8" down to a minimum height of 3-1/2"
- Maximum load is 172 lbs. (3.0 psi) Make certain each support is properly elevated to evenly distribute weight at all support locations.
- Unit Weight: 2.57 lbs.
- 7 per case, 17 lbs. per case, (DW= 20 lbs.)
- Recommended spacing is not to exceed 10' centers depending upon the load.
- Base Material: Polycarbonate
- All metal parts are either stainless steel or hot-dip galvanized.