

F

**SMITH® JAY R. SMITH MFG. CO.®**  
 DIVISION OF SMITH INDUSTRIES, INC.  
 POST OFFICE BOX 3237  
 MONTGOMERY, ALABAMA 36109-0237 (USA)  
 TEL: 334-277-8520 FAX: 334-272-7396 www.jrsmith.com



LOCATION

# SCUPPER DRAINS

**FUNCTION:** Used at specific angles of junction of roof and parapet with connection to outside conductor. Convex grate allows ample drainage area if sides become clogged with debris. Clamping arrangement insures watertight assembly.

DRAWING NUMBER  
S1580

SIZE  
A

SCALE:  
NONE

DATE:  
5-24-85

APPROVED BY:  
TD

CHECKED BY:  
TD

DRAWN BY:  
RH

WE CAN ASSUME NO RESPONSIBILITY FOR USE OF SUPERSEDED OR VOID DATA

Free Area  
111 SQ IN  
(716) SQ CM

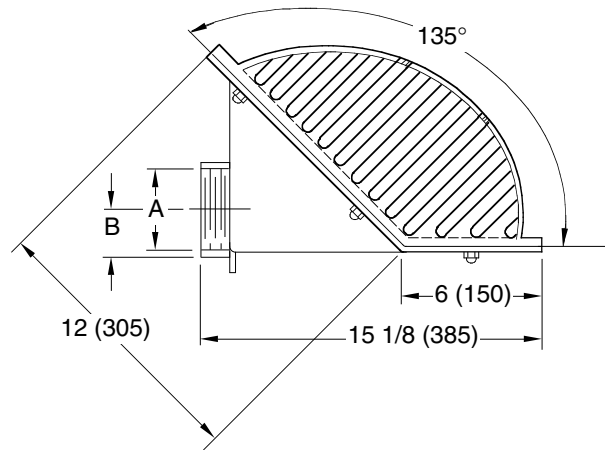
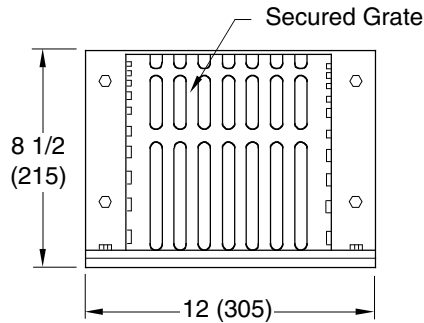


Fig. 1580T . . . . THREADED OUTLET

<b>A SIZE</b>	02 (50)	03 (75)	04 (100)	05 (125)	06 (150)
<b>B</b>	1 3/4 (44)	2 1/4 (57)	2 3/4 (70)	3 1/4 (83)	4 (100)

**REGULARLY FURNISHED:**  
 Cold Galvanized Steel Body with Rough Bronze Grate and Flashing Clamp.

**OPTIONAL MATERIALS:**  
 Nickel Bronze Top -NB  
 Polished Bronze Top -PB

**NOTE:** Dimensions shown in parentheses are in millimeters.

1580

FIGURE NUMBER

F	6-16-99	Revised Millimeters	CMD	BS
E	7-19-96	Added Millimeters	EMB	BS
D	6-30-94	Revised	EMB	BS
C	6-7-93	Submittal Update	EMB	BS
B	6-20-91	Rev. Reg. Furn.	EMB	JCS
REV.	DATE	DESCRIPTION	BY	CKD. BY

WEIGHT POUNDS	VOLUME CUBIC FEET

**FIGURE NUMBER**  
**1580**