

B

**SMITH® JAY R. SMITH MFG. CO.®**  
 MEMBER OF MORRIS GROUP INTERNATIONAL  
 POST OFFICE BOX 3237  
 MONTGOMERY, ALABAMA 36109-0237 (USA)  
 TEL: 334-277-8520 FAX: 334-272-7396 www.jrsmith.com

**ASPE** **PDI** **ASSE**  
 MEMBER OF:

LOCATION

DRAWING NUMBER  
S0250Y-M58-M54-XX

SIZE  
A

SCALE:  
NONE

DATE:  
10/10/07

APPROVED BY:  
CL

CHECKED BY:  
CL

DRAWN BY:  
JJ

FIGURE NUMBER  
0250Y-M58-M54-XX

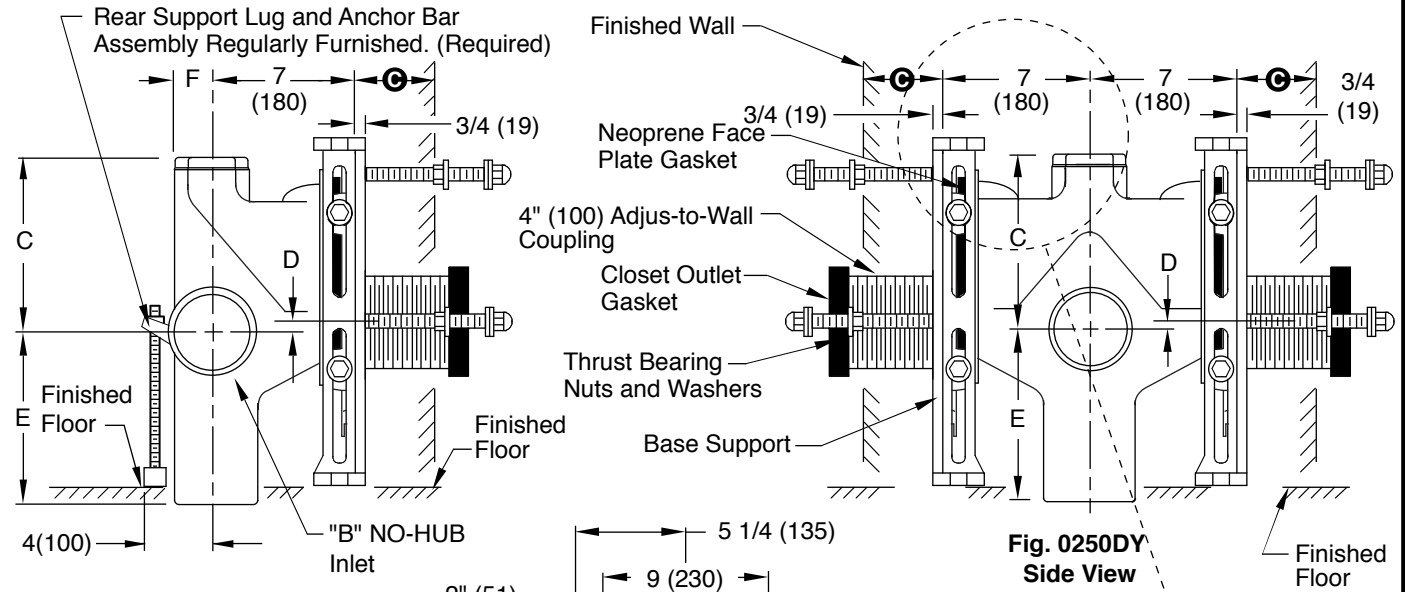
WE CAN ASSUME NO RESPONSIBILITY FOR USE OF SUPERSEDED OR VOID DATA  
DIMENSIONS ARE SUBJECT TO MANUFACTURERS TOLERANCE AND CHANGE WITHOUT NOTICE

# ADJUSTABLE FIXTURE SUPPORTS

## FOR SIPHON JET WATER CLOSETS - SHALLOW ROUGH-IN TYPE

### NO-HUB VERTICAL FITTINGS WITH TWO SIDE INLETS

#### EXTRA HEAVY DUTY - 750 LBS.



**Fig. 0250Y Side View**  
 Fig. 0250Y-M58-M54-XX . . .NO-HUB  
 Fig. 0250DY-M58-M54-XX . . .NO-HUB Double

**Jay R. Smith 0250Y-M58-M54-XX complies with and/or exceeds all requirements of ASME A112.6.1M up to 750 lbs.**

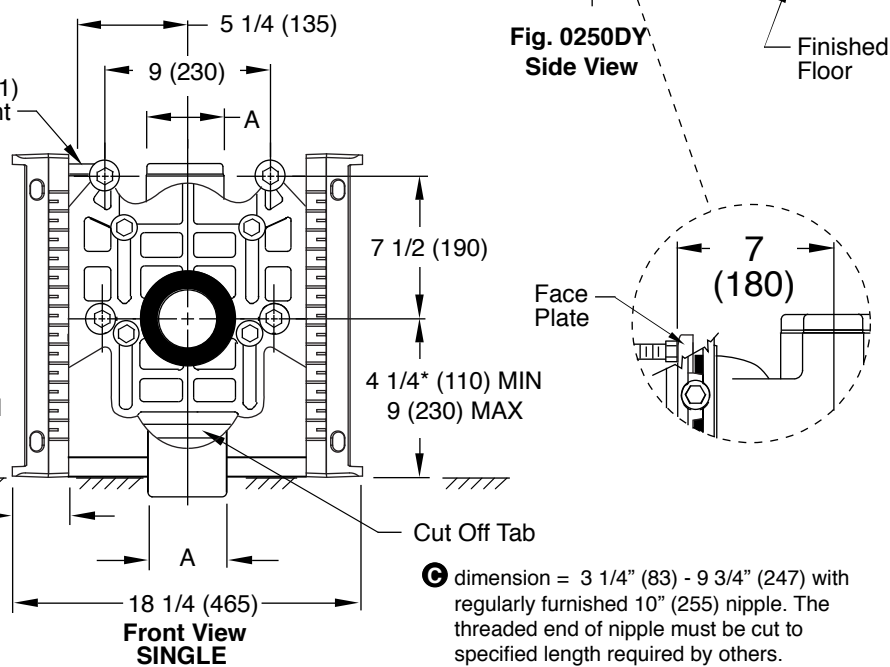
**NOTE:** Base support must be securely anchored to floor with 1/2" (13) anchors able to withstand a pull-out force of 500 lbs (227 kg). The rear anchor bar must be securely anchored to floor with 1/2" (13) anchors able to withstand a pull-out force of 1000 lbs (454 kg). Pull-out forces are calculated values, no safety factor has been applied.

**NOTE:** Shallower minimum rough-in dimension to accommodate lower rough bowls available. Specify dimension required.

**NOTE:** C of stack to end of NO-HUB side inlet in 5" (125).

**NOTE:** Dimensions shown in parentheses are in millimeters.

**NOTE:** 9" (230) core drilled hole is required for rough-in 4 1/4 (110) thru 6 1/2 (165).



A x B Size	C	D		E	F
		MIN	MAX		
4 (100) x 4 (100)	9 (230)	1 1/2 (38)	4 1/4 (110)	14 (355)	2 1/4 (57)
5 (125) x 4 (100)	11 1/2 (290)	1 1/2 (38)	4 1/4 (110)	11 1/2 (290)	2 3/4 (70)
5 (125) x 5 (125)	11 1/2 (290)	1 1/2 (38)	4 1/4 (110)	11 1/2 (290)	2 3/4 (70)
6 (150) x 4 (100)	11 1/2 (290)	1 1/2 (38)	4 1/4 (110)	11 1/2 (290)	3 1/4 (83)
6 (150) x 5 (125)	11 1/2 (290)	1 1/2 (38)	4 1/4 (110)	11 1/2 (290)	3 1/4 (83)

⊙ dimension = 3 1/4" (83) - 9 3/4" (247) with regularly furnished 10" (255) nipple. The threaded end of nipple must be cut to specified length required by others.

C	2-17-17	Revised Callout	TBW	TWK	WEIGHT POUNDS	VOLUME CUBIC FEET	FIGURE NUMBER
B	11/20/09	3/4 (19) was 1/2 (13)	JJ	CL			0250Y-M58-M54-XX
A	5-13-08	Revised Note	TBW	CL			
REV.	DATE	DESCRIPTION	BY	CKD. BY			