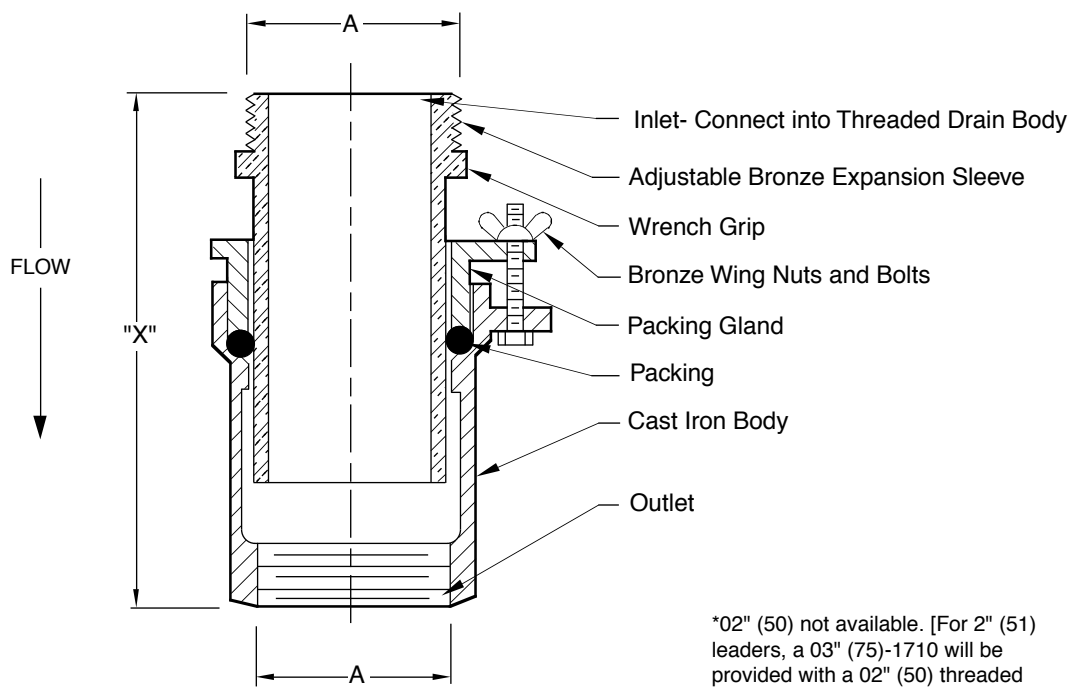


ROOF ACCESSORY

EXPANSION JOINT

FUNCTION: Used with vertical drainage conductors and leaders where contraction and expansion movements must be compensated for to prevent rupturing of lines and damage to the building construction.

NOTE-USE IN VERTICAL INSTALLATION ONLY



*02" (50) not available. [For 2" (51) leaders, a 03" (75)-1710 will be provided with a 02" (50) threaded connection in outlet of cast iron body. This requires using a 03" (75) drain body.]

NOTE: Must be installed in vertical installation only, in an accessible location preferably under the roof drain. Should be installed in an open space where the expansion sleeve can move freely. Never install encased in a slab, in soil or a similar substrate.

NOTE: Dimensions shown in parentheses are in millimeters.

Fig. 1710T THREADED OUTLET

A SIZE	"X"	
	MIN	MAX
02 (50)	7 5/16 (186)	9 3/4 (250)
03 (75)	7 11/16 (195)	9 3/4 (250)
04 (100)	7 11/16 (196)	9 3/4 (250)
05 (125)	8 3/4 (220)	10 5/16 (262)
06 (150)	8 3/8 (213)	10 1/4 (260)
08 (200)	8 5/8 (219)	11 1/16 (281)

REGULARLY FURNISHED:
 Duco Cast Iron Body with Adjustable Bronze Expansion Sleeve and Bronze Bolts and Wing Nuts.

VARIATIONS:
 Spigot Adaptor -S
 NO-HUB Adaptor
 (Specify Fig. 2646Y)

OPTIONAL MATERIALS:
 Galvanized Cast Iron -G

DRAWING NUMBER S1710
 SIZE A
 SCALE: NONE
 DATE: 5-24-85
 APPROVED BY: TD
 CHECKED BY: TD
 DRAWN BY: CMB
 FIGURE NUMBER 1710

WE CAN ASSUME NO RESPONSIBILITY FOR USE OF SUPERSEDED OR VOID DATA
 DIMENSIONS ARE SUBJECT TO MANUFACTURERS TOLERANCE AND CHANGE WITHOUT NOTICE

G F E D	11-29-16 8-20-99 6-16-99 5-30-95	Revised Function and Note Revised Table Revised Millimeters Added Millimeters	TBW TBW CMD EMB	CL BS BS BS	WEIGHT POUNDS	VOLUME CUBIC FEET	FIGURE NUMBER 1710
REV.	DATE	DESCRIPTION	BY	CKD. BY			