

URINAL SUPPORTS FOR OFF-THE-FLOOR URINALS

WITH SUPPORTING STUDS AND ADJUSTABLE COUPLING FOR BLOWOUT URINALS

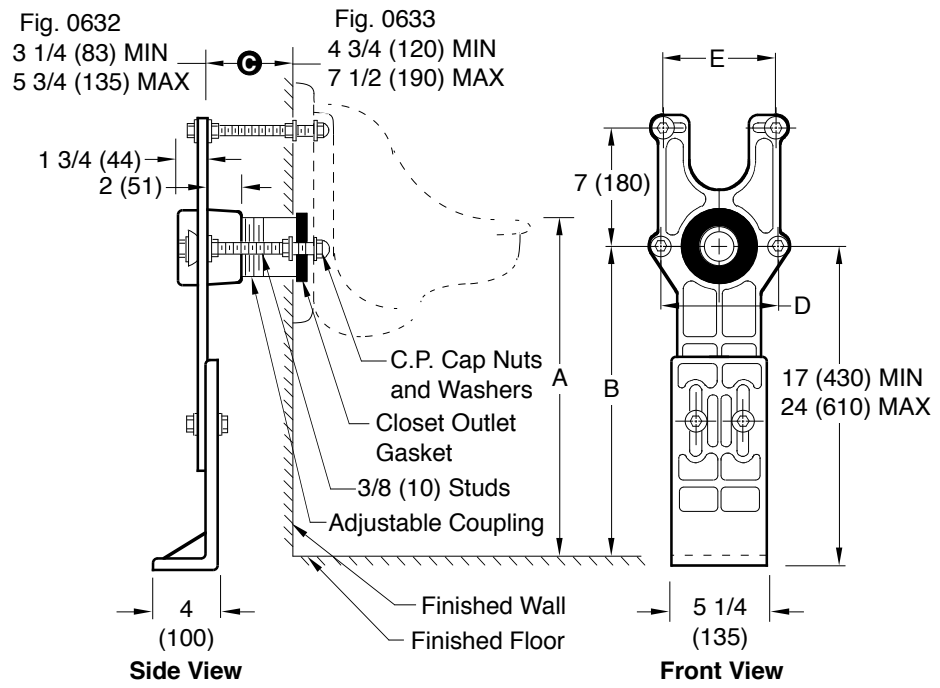


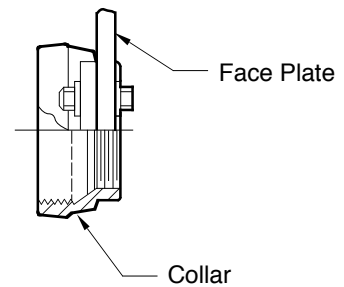
Fig. 0632 . . . 2" (50) Outlet Connection
 Fig. 0633 . . . 3" (80) Outlet Connection

NOTE: Coupling should extend 5/8" (16) beyond finished wall.

ROUGH-IN TABLE

FIXTURE MFG.	NAME	NUMBER	A	B	D	E
Am. Std.	Jet Brook	6570-Ser.	19 1/2 (495)	17 1/2 (445)	7 (180)	6 (150)
Crane	Expedio	7-101, 3	22 (560)	19 1/2 (495)	7 (180)	5 (125)
Crane	Expedio	7-104	22 (560)	19 1/2 (495)	7 (180)	7 (180)

The water closet gasket regularly furnished is made of molded neoprene and designed to fit water closet outlet dimensions and configurations shown in ANSI Standard A112.19.2M-1982, Figure 13B. If gasket is not found to be compatible to fixture due to nonconformance of said fixture to ANSI A112.19.2M, then fixture manufacturer shall be consulted for a suitable gasket recommendation. Jay R. Smith assumes no liability for connections to fixtures which do not conform to these standards.



NOTE: All support bases must be securely anchored to a rigid floor and/or other rigid substructure with (4) 1/2" bolts furnished by others.

NOTE: Dimensions shown in parentheses are in millimeters.

DRAWING NUMBER: S0632
 SIZE: A
 SCALE: NONE
 DATE: 11-13-69
 APPROVED BY:
 CHECKED BY: RP
 DRAWN BY: RVB
0632, 0633
 DIMENSIONS ARE SUBJECT TO MANUFACTURERS TOLERANCE AND CHANGE WITHOUT NOTICE

G F	04/22/09 05/01/96	Added Note Added Millimeters	JJ EMB	AM BS	WEIGHT POUNDS	VOLUME CUBIC FEET	FIGURE NUMBER 0632, 0633
REV.	DATE	DESCRIPTION	BY	CKD. BY			