



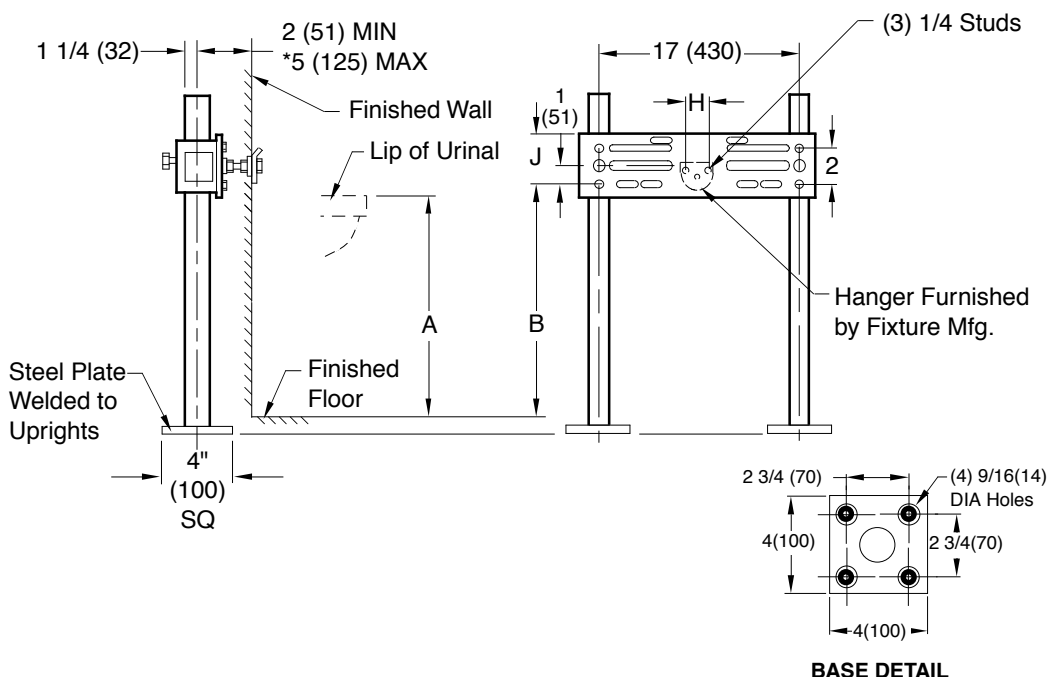


<b>A</b>	 <b>JAY R. SMITH MFG. CO.®</b> MEMBER OF MORRIS GROUP INTERNATIONAL POST OFFICE BOX 3237 MONTGOMERY, ALABAMA 36109-0237 (USA) TEL: 334-277-8520 FAX: 334-272-7396 www.jrsmith.com	 MEMBER OF:	 MEMBER OF:	 MEMBER OF:	<b>LOCATION</b>
----------	---	---	--	---	-----------------

## FIXTURE SUPPORT FLOOR MOUNTED TYPE WITH TOP SUPPORTING PLATE

**FOR BLOWOUT AND WASHOUT URINALS WITH CONCEALED WALL HANGER**



**ROUGH-IN TABLE**

FIXTURE MFG.	NAME	NUMBER	A	B	H	J
AMER/STD.	ALLBROOK	6541.132 6541.167F	24(610)	31 3/4(806)	1 3/16 (30)	1 (25)

**NOTE:** Uses P/N 70084-86-6 Plate (Modified)

\*This dimension can be increased when fixture support is to be installed behind the wall (specify when required and wall thickness).

NOTE: Dimension shown in parentheses are in millimeters.

DRAWING NUMBER: **S0643 (Allbrook)**  
 SIZE: **A**  
 SCALE: **NONE**  
 DATE: **10-6-98**  
 APPROVED BY:  
 CHECKED BY:  
 DRAWN BY: **CMD**  
**0643**  
 DIMENSIONS ARE SUBJECT TO MANUFACTURERS TOLERANCE AND CHANGE WITHOUT NOTICE  
 WE CAN ASSUME NO RESPONSIBILITY FOR USE OF SUPERSEDED OR VOID DATA

REV.	DATE	DESCRIPTION	BY	CKD. BY
A	11-2-98	Added note	CMD	BW

WEIGHT POUNDS	VOLUME CUBIC FEET

**FIGURE NUMBER**  
**0643**