

D

**SMITH® JAY R. SMITH MFG. CO.®**  
 MEMBER OF MORRIS GROUP INTERNATIONAL  
 POST OFFICE BOX 3237  
 MONTGOMERY, ALABAMA 36109-0237 (USA)  
 TEL: 334-277-8520 FAX: 334-272-7396 www.jrsmith.com



LOCATION

DRAWING NUMBER  
**S2589**

SIZE  
**A**

SCALE:  
**NONE**

DATE:  
**5-17-85**

APPROVED BY:  
**TD**

CHECKED BY:  
**TD**

DRAWN BY:  
**PJ**

**2589**

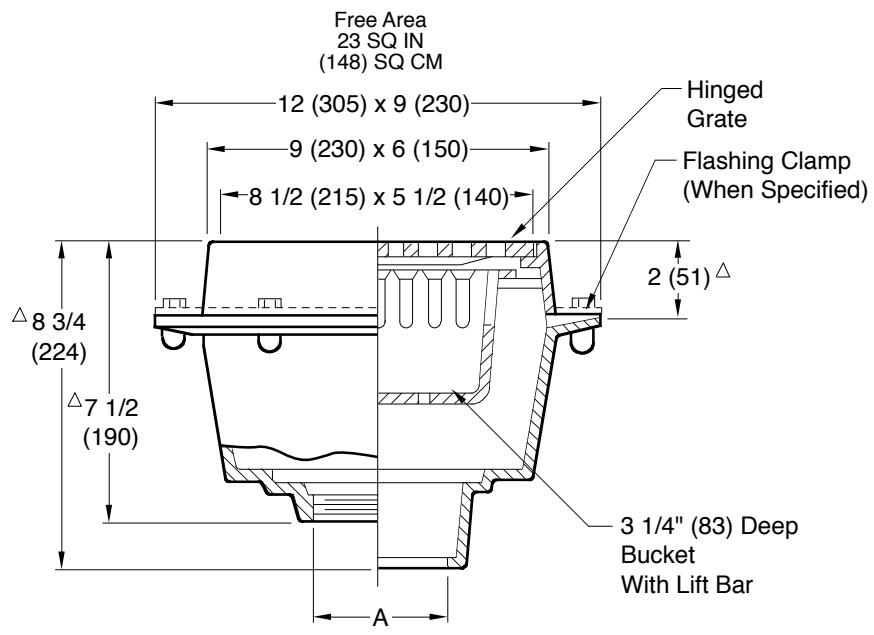
WE CAN ASSUME NO RESPONSIBILITY FOR USE OF SUPERSEDED OR VOID DATA

DIMENSIONS ARE SUBJECT TO MANUFACTURERS TOLERANCE AND CHANGE WITHOUT NOTICE

# SPECIAL PURPOSE DRAINS

## FLOOR DRAIN WITH HINGED GRATE AND SEDIMENT BUCKET

**FUNCTION:** Used in gutters and trenches where a sediment bucket is required. Hinged medium duty grate permits easy access to bucket for removal and cleaning.



A (Pipe Size) = 02(80), 03(80) or 04(100)

- Fig. 2589C . . . CAULK OUTLET
- Fig. 2589T. . . THREADED OUTLET

Δadd 1/8"(3) when bronze top is specified.

**REGULARLY FURNISHED:**  
 Duco Cast Iron Body with Hinged Grate and Sediment Bucket.

- VARIATIONS:**
- Flashing Clamp -C
  - NO-HUB Adaptor (Specify Fig. 2646Y)
  - Vandal Proof Grate -U
  - Quad Close Trap Seal (Specify Fig. 2692)

- OPTIONAL MATERIALS:**
- Galvanized Cast Iron -G
  - Nickel Bronze Top -NB
  - Polished Bronze Top -PB

**NOTE:** Dimensions shown in parentheses are in millimeters.

REV.	DATE	DESCRIPTION	BY	CKD. BY	WEIGHT POUNDS	VOLUME CUBIC FEET	FIGURE NUMBER
							<b>2589</b>