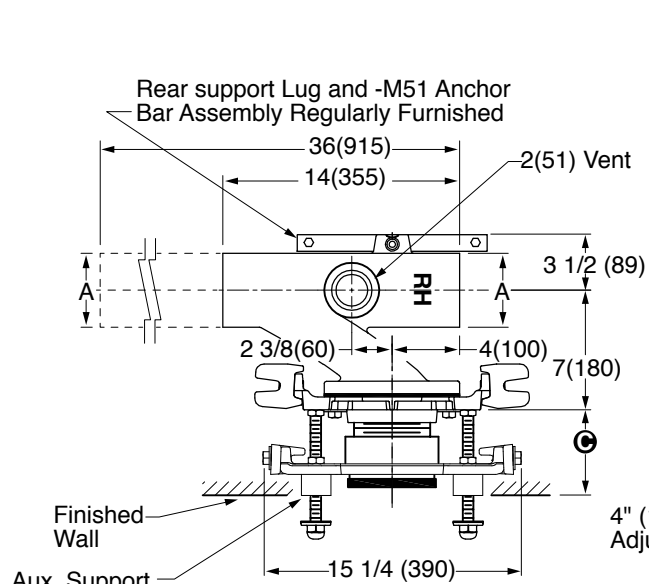
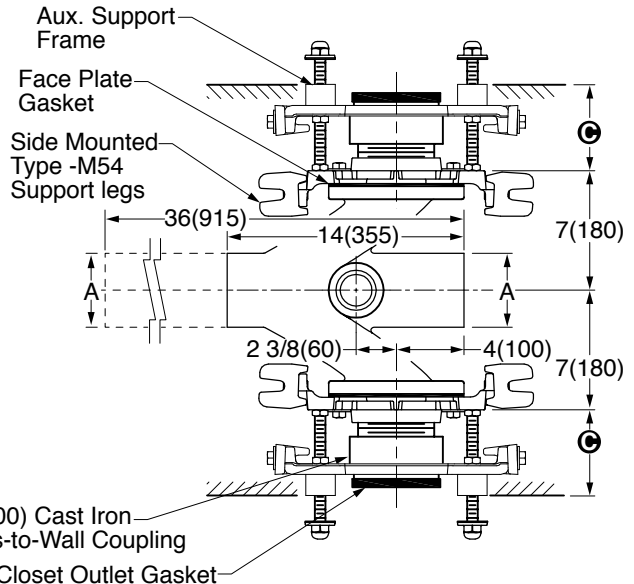


ADJUSTABLE FIXTURE SUPPORTS FOR SIPHON JET WATER CLOSETS

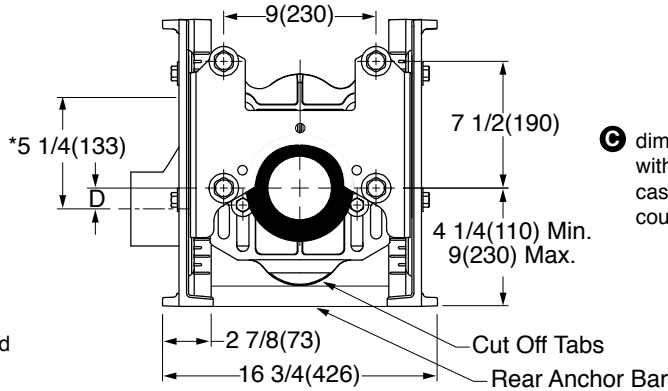
BARIATRIC DUTY - 1000 LBS. (454 KG)



**TOP VIEW
SINGLE**



**TOP VIEW
DOUBLE**



FRONT VIEW

A SIZE	D	
	MIN	MAX
4(100)	5/8(16)	3 3/8(87)

Ⓢ dimension = 4 1/4"(110) to 5 1/4"(135) with regularly furnished 4 1/2"(115) cast iron nipple and Adjus-to-Wall coupling.

NOTES:

1. Base support must be securely anchored to floor with 1/2"(13) anchors able to withstand a pull-out force of 500 lbs (227 kg). The rear anchor bar must be securely anchored to floor with 1/2"(13) anchors able to withstand a pull-out force of 1000 lbs (454 kg). Pull-out forces are calculated values, no safety factor has been applied.
2. Dimensions shown in parentheses are in millimeters.
3. *Dimension to top of vent.

- Fig. 0211LY -M54-XK NO-HUB Left Hand
- Fig. 0211RY -M54-XK NO-HUB Right Hand
- Fig. 0211DY -M54-XK NO-HUB Double
- Fig. 0221LY -M54-XK NO-HUB Left Hand Long Barrel
- Fig. 0221RY -M54-XK NO-HUB Right Hand Long Barrel
- Fig. 0221DY -M54-XK NO-HUB Double Long Barrel

Jay R. Smith 0211Y/0221Y-M54-XK complies with and/or exceeds all requirements of ASME A112.6.1M up to 1000 lbs.

DRAWING NUMBER
s0211Y, 0221Y -M54-XK

SIZE
A

SCALE:
NONE

DATE:
6-22-12

APPROVED BY:
CL

CHECKED BY:
CL

DRAWN BY:
TBW

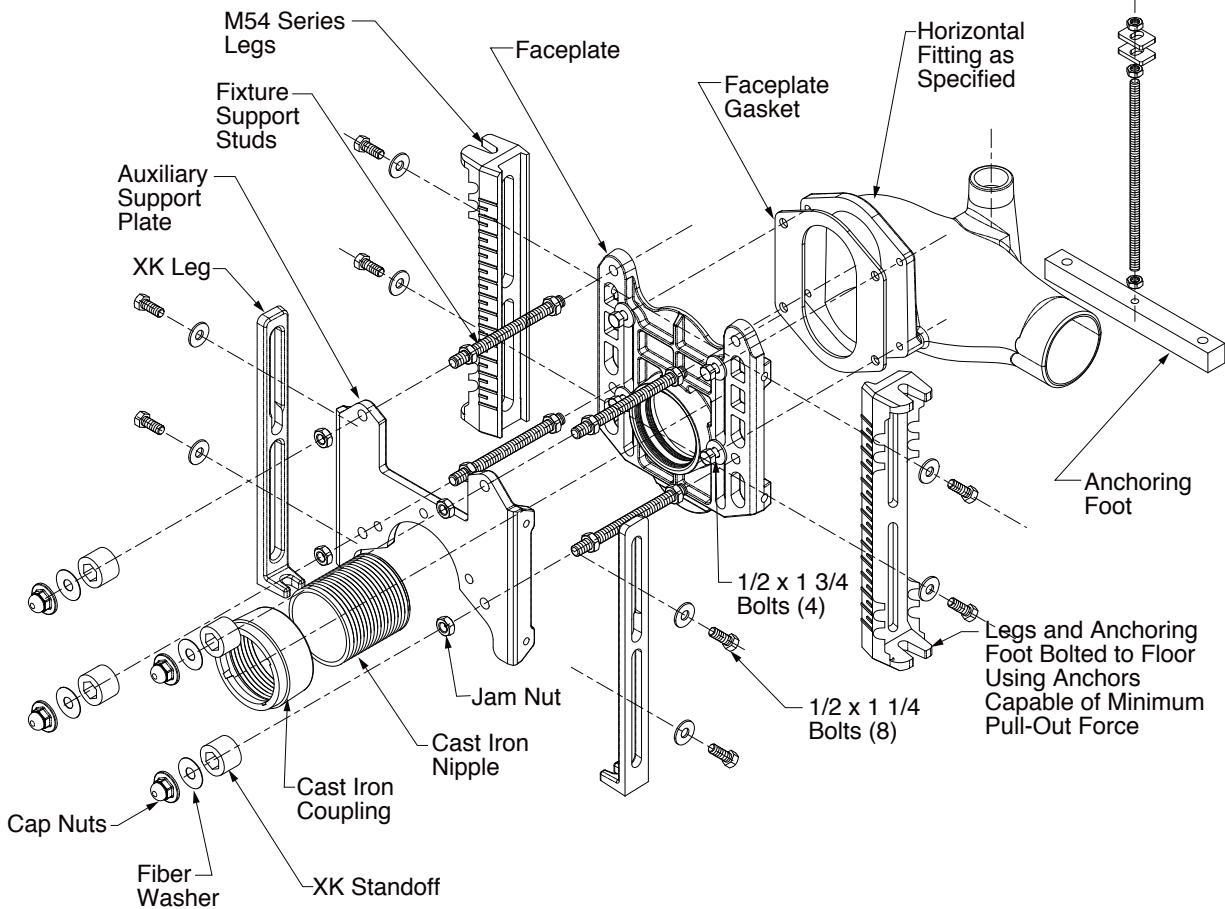
0211Y -M54-XK
0221Y -M54-XK

REV.	DATE	DESCRIPTION	BY	CKD. BY
B	10-30-14	Added 0221Y-M54-XK	TBW	CL
A	3-22-13	Rev. Notes, Dim.	TBW	CL

WEIGHT POUNDS	VOLUME CUBIC FEET	FIGURE NUMBER 0211Y -M54-XK 0221Y -M54-XK
------------------	----------------------	--

ADJUSTABLE FIXTURE SUPPORTS FOR SIPHON JET WATER CLOSETS

PARTS LIST FOR NO-HUB HORIZONTAL FITTINGS BARIATRIC DUTY - 1000 LBS.



WE CAN ASSUME NO RESPONSIBILITY FOR USE OF SUPERSEDED OR VOID DATA

DRAWING NUMBER
0211Y-M54-XK-BS

SIZE
A

SCALE:
NONE

DATE:
7-17-14

APPROVED BY:
CL

CHECKED BY:
CL

DRAWN BY:
TBW

**0211Y, 0221Y-M54-XK
BACK SHEET**

FIGURE NUMBER

REV.	DATE	DESCRIPTION	BY	CKD. BY

WEIGHT POUNDS

VOLUME CUBIC FEET

FIGURE NUMBER
**0211Y, 0221Y
-M54-XK-BS**