

D

SMITH® JAY R. SMITH MFG. CO.®
 MEMBER OF MORRIS GROUP INTERNATIONAL
 POST OFFICE BOX 3237
 MONTGOMERY, ALABAMA 36109-0237 (USA)
 TEL: 334-277-8520 FAX: 334-272-7396 www.jrsmith.com

ASPE **PDI** **ASSE**
 MEMBER OF:

LOCATION

DRAWING NUMBER
S0250Y-M54-XK

SIZE
A

SCALE:
NONE

DATE:
10/10/07

APPROVED BY:
CL

CHECKED BY:
CL

DRAWN BY:
JJ

FIGURE NUMBER
0250Y-M54-XK

WE CAN ASSUME NO RESPONSIBILITY FOR USE OF SUPERSEDED OR VOID DATA

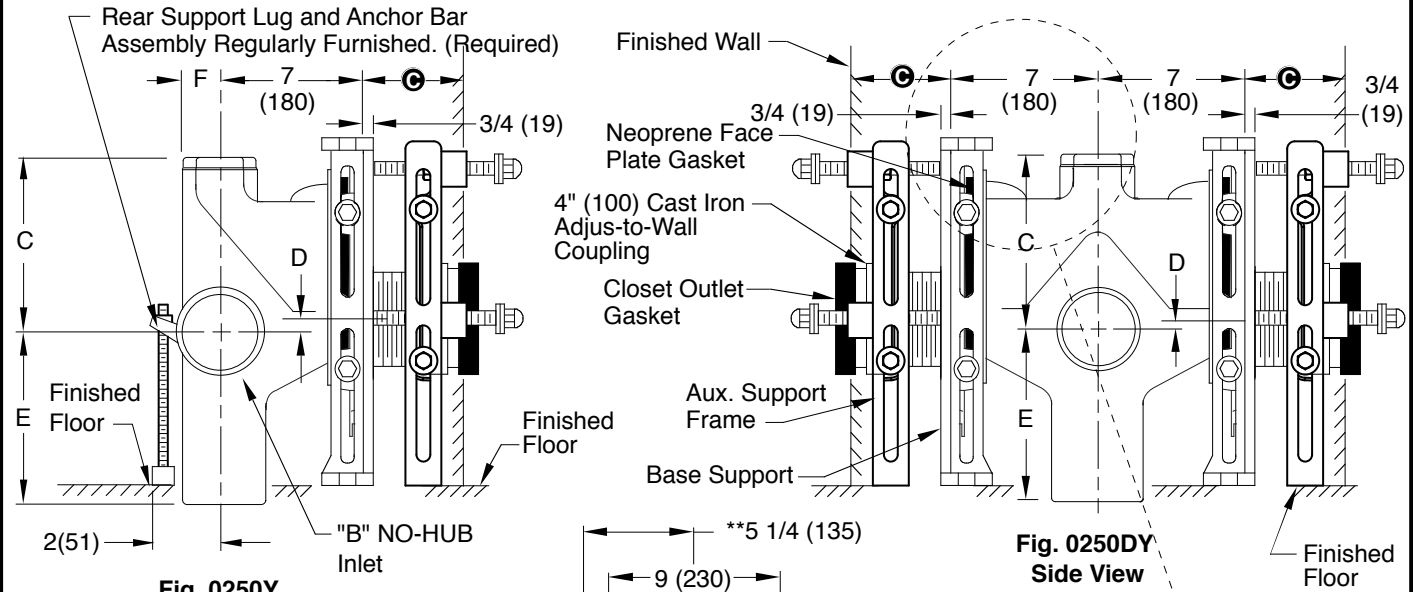
DIMENSIONS ARE SUBJECT TO MANUFACTURERS TOLERANCE AND CHANGE WITHOUT NOTICE

ADJUSTABLE FIXTURE SUPPORTS

FOR SIPHON JET WATER CLOSETS - SHALLOW ROUGH-IN TYPE

NO-HUB VERTICAL FITTINGS WITH TWO SIDE INLETS

BARIATRIC DUTY - 1000 LBS.



- Fig. 0250Y-M54-XK. . . NO-HUB
- Fig. 0250DY-M54-XK. . . NO-HUB Double

Jay R. Smith 0250Y-M54-XK complies with and/or exceeds all requirements of ASME A112.6.1M up to 1000 lbs.

NOTE: Base support must be securely anchored to floor with 1/2" (13) anchors able to withstand a pull-out force of 500 lbs (227 kg). The rear anchor bar must be securely anchored to floor with 1/2" (13) anchors able to withstand a pull-out force of 1000 lbs (454 kg). Pull-out forces are calculated values, no safety factor has been applied.

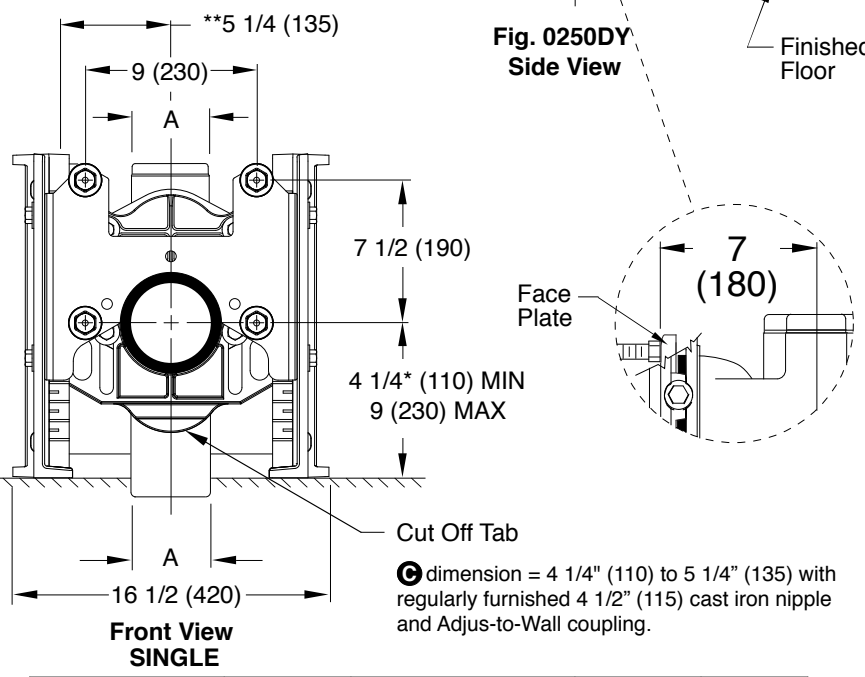
NOTE: Shallower minimum rough-in dimension to accommodate lower rough bowls available. Specify dimension required.

NOTE: \varnothing of stack to end of NO-HUB side inlet is 5" (125).

NOTE: Dimensions shown in parentheses are in millimeters.

NOTE: ** dimension is from centerline of vent to centerline of stack.

***NOTE:** 9" (230) core drilled hole is required for rough-in 4 1/4 (110) thru 6 1/2 (165).



A x B Size	C	D		E	F
		MIN	MAX		
4 (100) x 4 (100)	9 (230)	1 1/2 (38)	4 1/4 (110)	14 (355)	2 1/4 (57)
5 (125) x 4 (100)	11 1/2 (290)	1 1/2 (38)	4 1/4 (110)	11 1/2 (290)	2 3/4 (70)
5 (125) x 5 (125)	11 1/2 (290)	1 1/2 (38)	4 1/4 (110)	11 1/2 (290)	2 3/4 (70)
6 (150) x 4 (100)	11 1/2 (290)	1 1/2 (38)	4 1/4 (110)	11 1/2 (290)	3 1/4 (83)
6 (150) x 5 (125)	11 1/2 (290)	1 1/2 (38)	4 1/4 (110)	11 1/2 (290)	3 1/4 (83)

D	11/20/09	3/4 (19) was 1/2 (13)	JJ	CL	WEIGHT POUNDS	VOLUME CUBIC FEET	FIGURE NUMBER 0250Y-M54-XK
C	10/08/08	Corrected Support Views	JJ	CL			
B	5-13-08	Revised Note	TBW	CL			
A	04/08/08	Revised "C" dimension	JJ	CL			
REV.	DATE	DESCRIPTION	BY	CKD. BY			

SMITH® JAY R. SMITH MFG. CO.®
 MEMBER OF MORRIS GROUP INTERNATIONAL
 POST OFFICE BOX 3237
 MONTGOMERY, ALABAMA 36109-0237 (USA)
 TEL: 334-277-8520 FAX: 334-272-7396 www.jrsmith.com

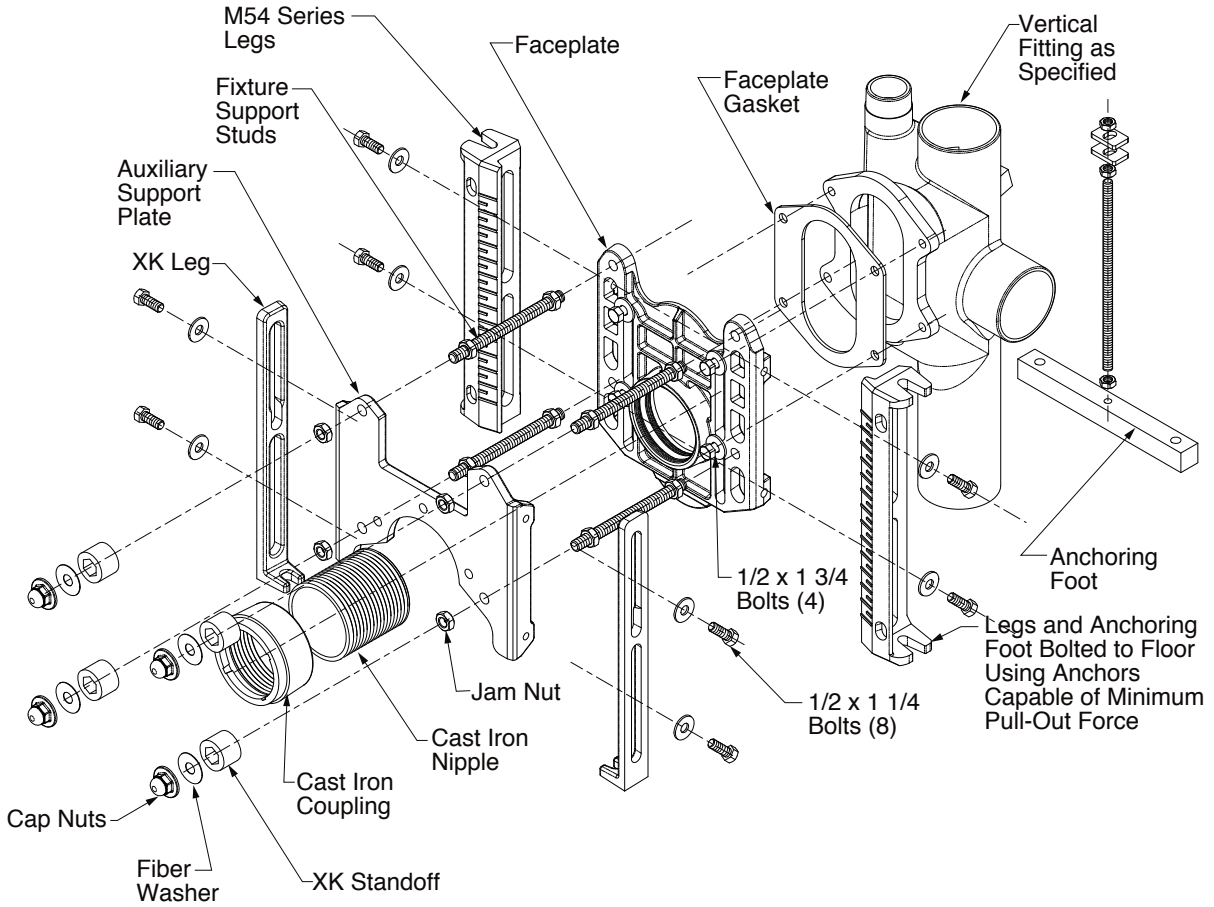


LOCATION

ADJUSTABLE FIXTURE SUPPORTS

FOR SIPHON JET WATER CLOSETS - SHALLOW ROUGH-IN TYPE

NO-HUB VERTICAL FITTINGS WITH TWO SIDE INLETS
BARIATRIC DUTY - 1000 LBS.



DRAWING NUMBER
S0250Y-M54-XKBS

SIZE
A

SCALE:
NONE

DATE:
6-12-07

APPROVED BY:
CL

CHECKED BY:
CL

DRAWN BY:
WAS

0250Y-M54-XK
BACK SHEET

WE CAN ASSUME NO RESPONSIBILITY FOR USE OF SUPERSEDED OR VOID DATA

DIMENSIONS ARE SUBJECT TO MANUFACTURERS TOLERANCE AND CHANGE WITHOUT NOTICE

FIGURE NUMBER	A	04/23/09	Revised Coupling Mat'l	JJ	CL
REV.	DATE	DESCRIPTION	BY	CKD. BY	

WEIGHT POUNDS	VOLUME CUBIC FEET

FIGURE NUMBER
0250Y
-M54-XK-BS