

**COMPACT FIXTURE SUPPORTS
 FOR SIPHON JET WATER CLOSETS WITH VERTICAL CENTER LINE FITTINGS**

FLOOR MOUNT FRAME FOR HUB & SPIGOT SYSTEMS

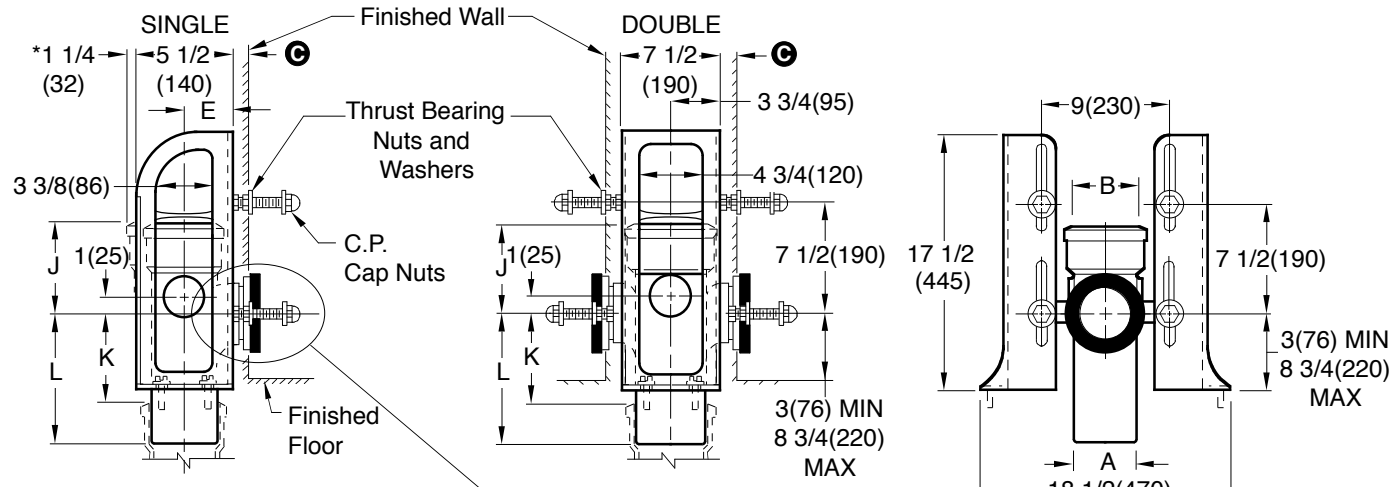
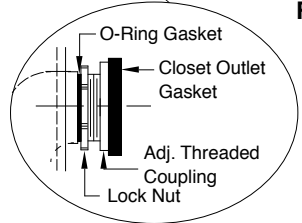


Fig. 0533F Side View

Fig. 0544FD Side View

Front View



- Fig. 0532F . . . 3"(75) CAULK w/2"(51) Vent
- Fig. 0533F . . . 3"(75) CAULK w/3"(76) Vent
- Fig. 0542F . . . 4"(100) CAULK w/2"(51) Vent
- Fig. 0544F . . . 4"(100) CAULK w/4"(100) Vent
- Fig. 0544FD . . . 4"(100) CAULK Double w/4"(100) Vent

A SIZE	B SIZE	E	J	K	L
3(75)	2(51)	3(76)	5 1/4(135)	5 1/4(135)	8(205)
3(75)	3(76)	3(76)	6(150)	5 1/4(135)	8(205)
4(100)	2(51)	3 1/2(89)	5 1/4(135)	5(125)	8(205)
4(100)	4(100)	3 1/2(89)	6(150)	5(125)	8(205)

- NOTES:**
- Coupling should extend 5/16"(8) beyond finished wall.
 - Double support for use with gravity flush tank type water closets only.
 - Longer closet studs and couplings available when required.
 Ⓞ 1"(25) MIN to 1 1/4"(32) MAX regularly furnished. Other dimensions available upon request.

* Hub extends beyond frame 1 1/4"(32) for 4"(100) cast iron hub.

INSTALLATION INSTRUCTIONS

- The center of the stack should be located by the "E" dimension shown on the table. "E" dimension for 0544FD is 3 3/4(95).
- To determine the height of the stack in relation to the finished floor, subtract the closet outlet c/L dimension from the "K" dimension.
- The fitting should now be caulked into the stack.
- Assemble the faceplates temporarily to the fitting, mark the location of the bolt holes in the slab, and then secure faceplates to the floor.
- Faceplates are fastened to the arms of the adaptor by means of the fixture studs, nuts and washers provided.
- Thread locknut on male thread of adjustable coupling approximately 1"(25) and push "O"-Ring against locknut.
- Apply No. 90 Smith Seal to male threads on coupling. Install coupling and adjust it to extend 5/16"(8) beyond finished wall. Thread locknut snugly.
- Assemble the bearing nuts and washers to the fixture supporting studs. The fixture studs should extend 2 1/4"(57) beyond finished wall.
- Adjust bearing nuts so that washers extend 1/16"(2) beyond finished wall.
- After wall is erected, remove any plaster grout touching the fixture studs, bearing nuts washers and coupling.
- Place gasket in closet recess and set closet on studs protruding from wall making sure that closet outlet is centered on coupling.
- Place fiber washers on studs. Apply the two bottom and top left cap nuts, tighten securely. Apply the top right cap nut hand tight and snug up 1/4 turn with wrench.

NOTE: Dimensions shown in parentheses are in millimeters.

DRAWING NUMBER: S0532F
 SIZE: A
 SCALE: NONE
 DATE: 1-17-86
 APPROVED BY: SB
 CHECKED BY: JD
 DRAWN BY: CM
 FIGURE NUMBER: 0532F, 0533F, 0542F, 0544F
 DIMENSIONS ARE SUBJECT TO MANUFACTURERS TOLERANCE AND CHANGE WITHOUT NOTICE

REV.	DATE	DESCRIPTION	BY	CKD. BY	WEIGHT POUNDS	VOLUME CUBIC FEET	FIGURE NUMBER
							0532F, 0533F, 0542F, 0544F