

F

SMITH® JAY R. SMITH MFG. CO.®
 MEMBER OF MORRIS GROUP INTERNATIONAL
 POST OFFICE BOX 3237
 MONTGOMERY, ALABAMA 36109-0237 (USA)
 TEL: 334-277-8520 FAX: 334-272-7396 www.jrsmith.com



LOCATION

DRAWING NUMBER
S0600

SIZE
A

SCALE:
NONE

DATE:
09/27/01

APPROVED BY:

CHECKED BY:

DRAWN BY:
JJ

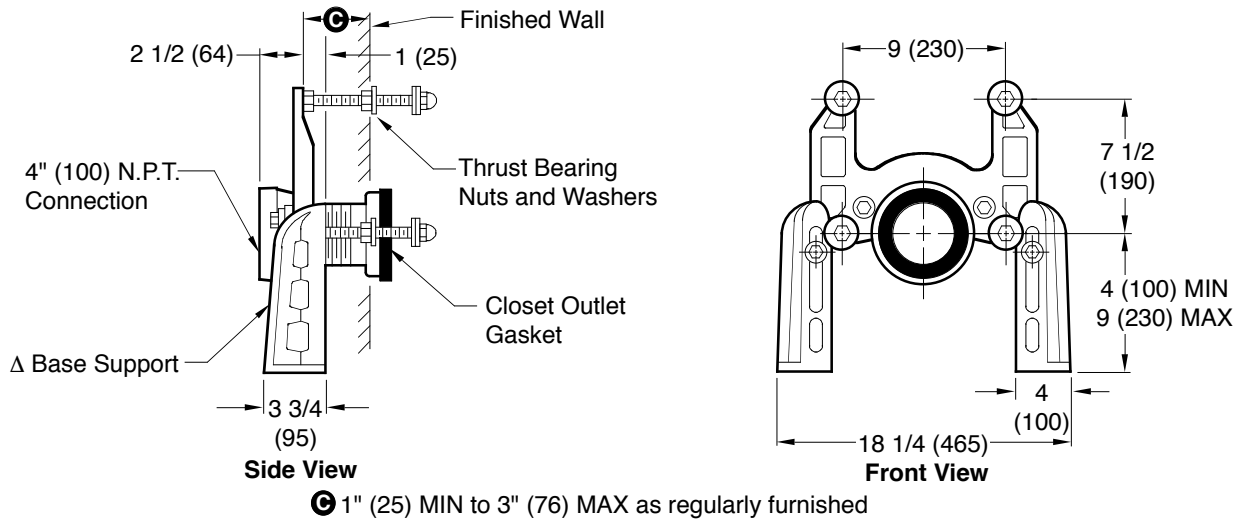
0600

WE CAN ASSUME NO RESPONSIBILITY FOR USE OF SUPERSEDED OR VOID DATA

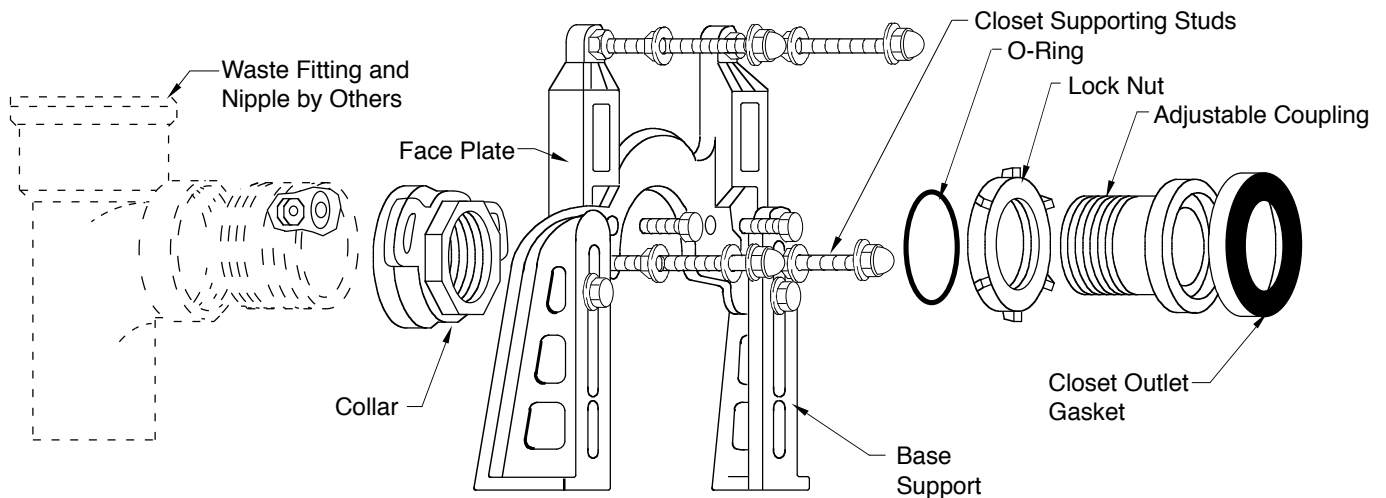
DIMENSIONS ARE SUBJECT TO MANUFACTURERS TOLERANCE AND CHANGE WITHOUT NOTICE

FACE PLATE FIXTURE SUPPORTS

WITHOUT FITTINGS FOR SIPHON JET WATER CLOSETS



TYPICAL EXPLODED VIEW OF 0600 SERIES



Δ Base support must be securely anchored to floor (with four 1/2" (13) Bolts furnished by others).

NOTE:
See reverse side for recommended setting of closet outlet connection and various modifications.

The water closet gasket regularly furnished is made of molded neoprene and designed to fit water closet outlet dimensions and configurations shown in ANSI Standard A112.19.2M-1982, Figure 13B. If gasket is not found to be compatible to fixture due to nonconformance of said fixture to ANSI A112.19.2M, then fixture manufacturer shall be consulted for a suitable gasket recommendation. Jay R. Smith assumes no liability for connections to fixtures which do not conform to these standards.

NOTE: Dimensions shown in parentheses are in millimeters.

NOTE: Longer couplings available when required, up to 14" (355) long.

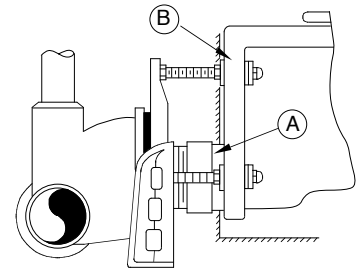
REV.	DATE	DESCRIPTION	BY	CKD. BY
F	10/01/01	Revised Slots and Cap Nuts	JJ	AM
E	05/01/96	Revised	EMB	BS
D	06/07/95	Added Millimeters	EMB	BS

WEIGHT POUNDS	VOLUME CUBIC FEET	FIGURE NUMBER
		0600

MODIFICATIONS AND VARIATIONS FOR SIPHON WATER CLOSETS

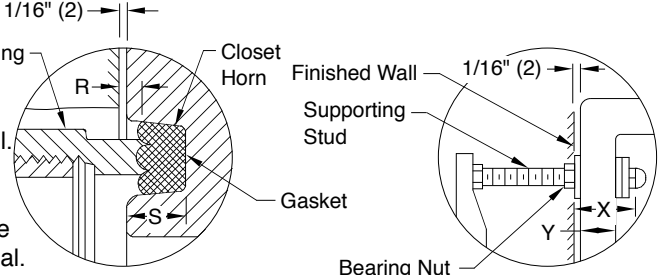
RECOMMENDED SETTING OF CLOSET OUTLET CONNECTION AND FIXTURE STUDS

Manufacturers have slight differences in the depth of the closet horn and flange thickness of their closets. Usually the fixture support closet connection should extend 1/4" (6) beyond face of finished wall (Dimension "R") and the fixture studs 2 1/4" (57) (Dimension "X"). For exact dimensions please use the formulas below.



DETAIL A Formula for "R" is: $S + 1/16" (2) - 1/2" (13) = R$

S = Depth of closet horn
 1/16" (2) = Distance closet is to set away from finished wall.
 R = Distance coupling should extend beyond finished wall.



NOTE: When the fixture is installed, closet gasket must be compressed sufficiently to assure a gas and water-tight seal.

DETAIL B Formula for "X" is: $Y + 1/16" (2) + 9/16" (14) = X$

Y = Thickness of closet wall flange
 1/16" (2) = Distance closet is to set away from finished wall.
 X = Distance supporting stud should extend beyond finished wall.

NOTE: Dimensions shown in parentheses are in millimeters.

DRAWING NUMBER: S0600BS
 SIZE: A
 SCALE: NONE
 DATE: 10-27-89
 APPROVED BY: TD
 CHECKED BY: RP
 DRAWN BY: RVB

WE CAN ASSUME NO RESPONSIBILITY FOR USE OF SUPERSEDED OR VOID DATA
 DIMENSIONS ARE SUBJECT TO MANUFACTURERS TOLERANCE AND CHANGE WITHOUT NOTICE

0600BS

FIGURE NUMBER	B	6-14-95	Added Millimeters Submittal Update	EMB	BS	WEIGHT POUNDS	VOLUME CUBIC FEET	FIGURE NUMBER
	A	7-26-93		EMB	BS			0600BS
	REV.	DATE	DESCRIPTION	BY	CKD. BY			