

D

SMITH® JAY R. SMITH MFG. CO.®
 MEMBER OF MORRIS GROUP INTERNATIONAL
 POST OFFICE BOX 3237
 MONTGOMERY, ALABAMA 36109-0237 (USA)
 TEL: 334-277-8520 FAX: 334-272-7396 www.jrsmith.com



LOCATION

DRAWING NUMBER
S0628

SIZE
A

SCALE:
NONE

DATE:
07/11/01

APPROVED BY:
AM

CHECKED BY:
CR

DRAWN BY:
JJ

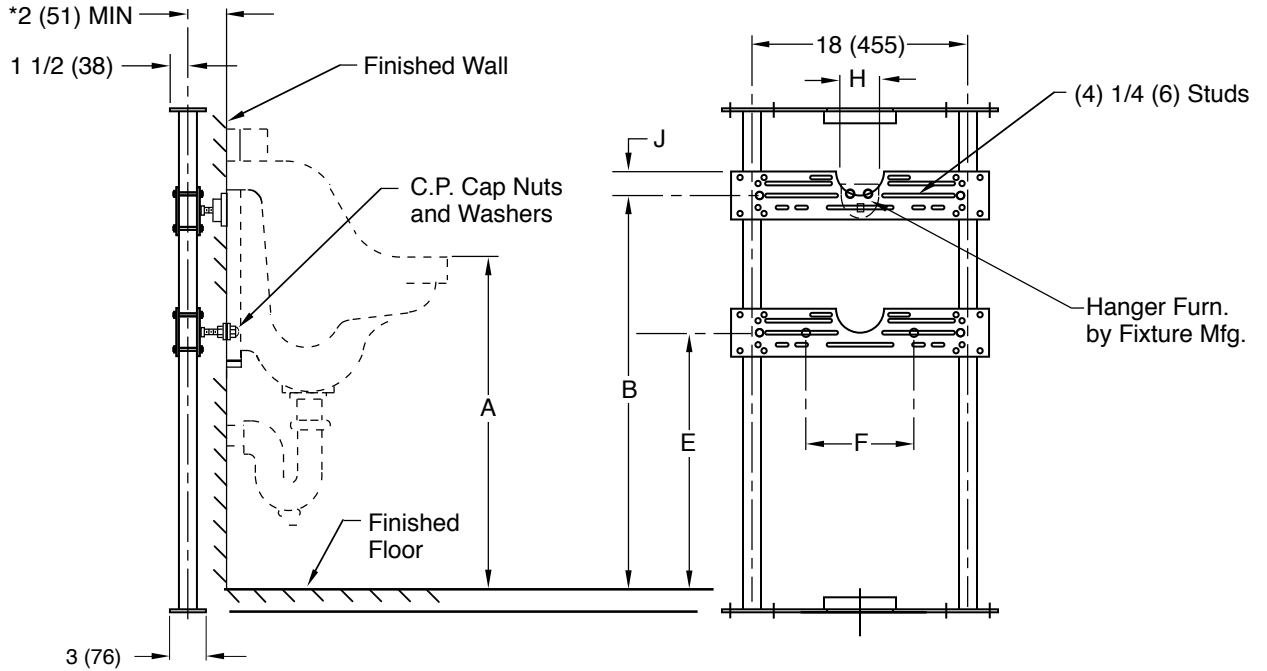
FIGURE NUMBER
0628

WE CAN ASSUME NO RESPONSIBILITY FOR USE OF SUPERSEDED OR VOID DATA

DIMENSIONS ARE SUBJECT TO MANUFACTURERS TOLERANCE AND CHANGE WITHOUT NOTICE

LABOR SAVER® URINAL SUPPORT FLOOR MOUNTED TYPE WITH TOP AND BOTTOM SUPPORTING PLATES AND STUDS

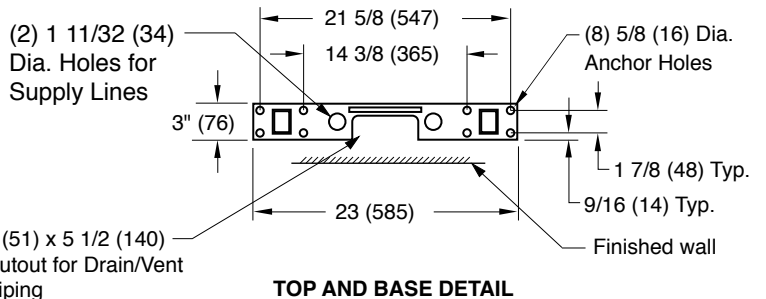
FOR WASHOUT URINALS WITH TOP STUD AND BOTTOM OUTLET



NOTE: The rough-in dimensions listed on this drawing are based on current information available to Jay R. Smith by the fixture manufacturers. We recommend that you verify these dimensions with the fixture manufacturer. We will not accept responsibility for rough-in dimension changes by the fixture manufacturer.

NOTE: *This dimension includes a wall thickness of 1/2". For greater wall thickness, specify centerline of upright to finished wall dimension.

NOTE: Dimensions shown in parentheses are in millimeters.



ROUGH-IN TABLE

FIGURE MFG.	NAME	NUMBER	SIZE	A	B	E	F	H	J

REV.	DATE	DESCRIPTION	BY	CKD. BY
D	12/06/02	Revised per George Flegel	JJ	AM
C	08/02/02	Redirected Cap Nuts arrow	JJ	AM
B	12/19/01	Changed Hole Size in Base	JJ	AM
A	09/19/01	Inserted new universal plate	JJ	AM

WEIGHT POUNDS	VOLUME CUBIC FEET	FIGURE NUMBER 0628
------------------	----------------------	------------------------------