

LABOR SAVER® LAVATORY SUPPORT FLOOR MOUNTED WITH CONCEALED ARMS

FOR FLAT SLAB WHEELCHAIR PATIENTS LAVATORY

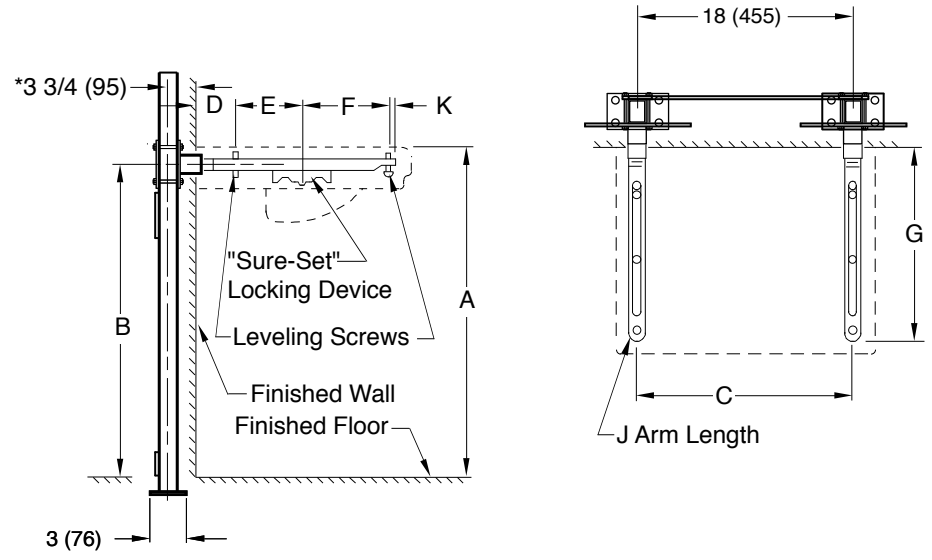
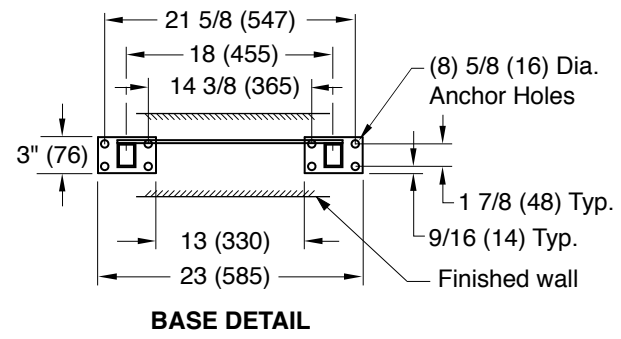


Fig. 0710 (-27) . . . FOR HIGH BACK LAVATORIES (shown)

NOTE: The rough-in dimensions listed on this drawing are based on current information available to Jay R. Smith by the fixture manufacturers. We recommend that you verify these dimensions with the fixture manufacturer. We will not accept responsibility for rough-in dimension changes by the fixture manufacturer.

NOTE: *This dimension includes a wall thickness of 1/2". For greater wall thickness, specify centerline of upright to finished wall dimension.

NOTE: Dimensions shown in parentheses are in millimeters.



ROUGHING-IN TABLE

FIXTURE MFG.		NAME		NUMBER		SIZE		
A	B	C	D	E	F	G	J	K

DRAWING NUMBER: **S0710 (-27)**
 SIZE: **A**
 SCALE: **NONE**
 DATE: **07/11/01**
 APPROVED BY: **AM**
 CHECKED BY: **CR**
 DRAWN BY: **JJ**
0710 (-27)
 DIMENSIONS ARE SUBJECT TO MANUFACTURERS TOLERANCE AND CHANGE WITHOUT NOTICE

D	07/22/08	Revised Plate Configuration	JJ	CL	WEIGHT	VOLUME	FIGURE NUMBER
C	12/09/02	Revised per George Flegel	JJ	AM	POUNDS	CUBIC FEET	0710 (-27)
B	7/16/02	Changed Fig. 0700 to 0710	RN	AM			
A	12/19/01	Changed Hole Size in Base	JJ	AM			
REV.	DATE	DESCRIPTION	BY	CKD. BY			