

G

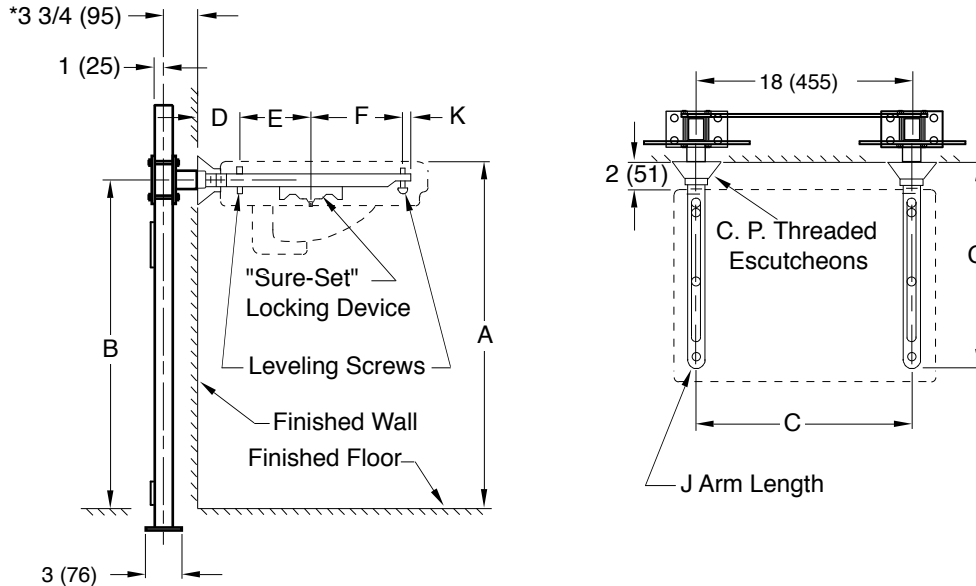
**SMITH® JAY R. SMITH MFG. CO.®**  
 MEMBER OF MORRIS GROUP INTERNATIONAL  
 POST OFFICE BOX 3237  
 MONTGOMERY, ALABAMA 36109-0237 (USA)  
 TEL: 334-277-8520 FAX: 334-272-7396 www.jrsmith.com



LOCATION

# LABOR SAVER® LAVATORY SUPPORTS

## FLOOR MOUNTED TYPE WITH CONCEALED ARMS

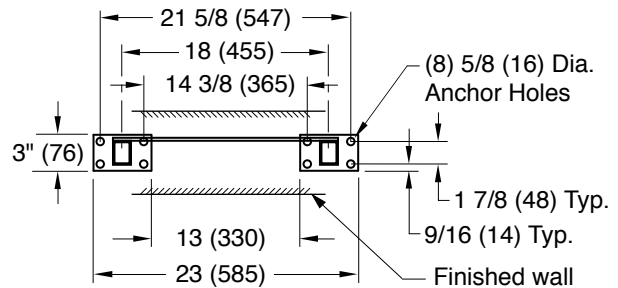


**Fig. 0710 (-E) . . . FOR FLAT SLAB LAVATORIES (shown)**

**NOTE:** The rough-in dimensions listed on this drawing are based on current information available to Jay R. Smith by the fixture manufacturers. We recommend that you verify these dimensions with the fixture manufacturer. We will not accept responsibility for rough-in dimension changes by the fixture manufacturer.

**NOTE:** \*This dimension can be increased when fixture support is to be installed behind the wall. (Specify when required and wall thickness).

**NOTE:** Dimensions shown in parentheses are in millimeters.



**BASE DETAIL**

**ROUGH-IN TABLE**

FIXTURE MFG.		NAME		NUMBER		SIZE		
A	B	C	D	E	F	G	J	K

G	01/20/11	Updated Logo Revised Plate Configuration Changed per George Flegel Removed unnecessary dimension	JJ	TW
F	07/23/08		JJ	CL
E	11/07/02		JJ	AM
D	08/02/02		JJ	AM
REV.	DATE	DESCRIPTION	BY	CKD. BY

WEIGHT POUNDS	VOLUME CUBIC FEET

**FIGURE NUMBER**  
**0710 (-E)**

DRAWING NUMBER  
S0710 (-E)

SIZE  
A

SCALE:  
NONE

DATE:  
06/26/01

APPROVED BY:  
AM

CHECKED BY:  
CR

DRAWN BY:  
JJ

**0710 (-E)**

FIGURE NUMBER

WE CAN ASSUME NO RESPONSIBILITY FOR USE OF SUPERSEDED OR VOID DATA

DIMENSIONS ARE SUBJECT TO MANUFACTURERS TOLERANCE AND CHANGE WITHOUT NOTICE