

LAVATORY SUPPORTS WITH EXPOSED ARMS

WALL MOUNTED WITH ACID RESISTANT COATED EXPOSED ARMS

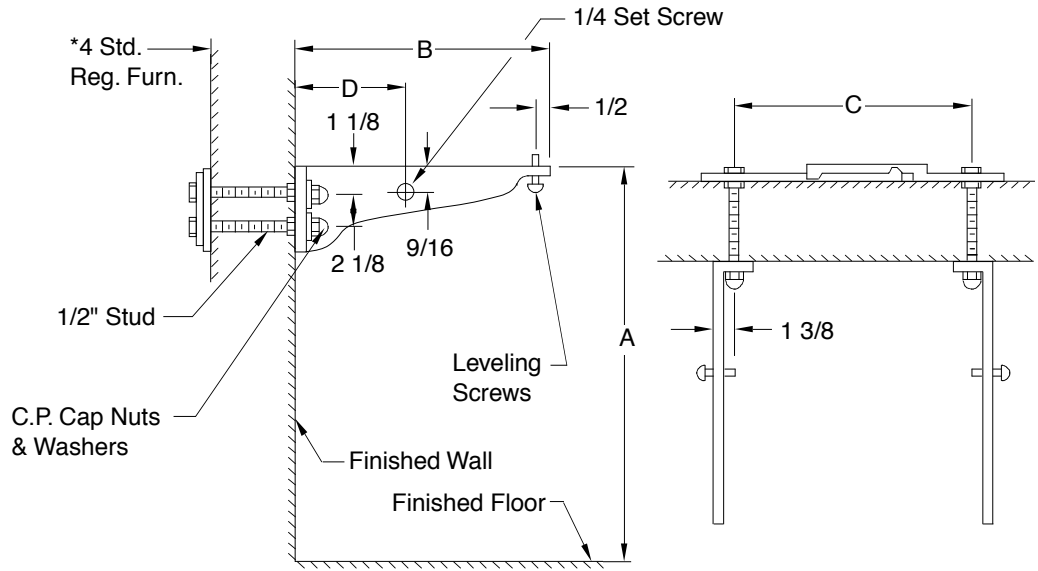


Fig. 0782 . . . WITH OFFSET ARMS FOR HIGH BACK ENAMELED IRON LAVATORIES SET ON BLOCK WALL

* This dimension can be increased when required (specify wall thickness)

ROUGHING-IN TABLE

FIXTURE MFG.	NAME	NUMBER	SIZE	A	B	C	D
AM. STD.	REGALYN	4867.016	19 x 17	30 5/8	11	14 1/8	8
AM. STD.	REGALYN	4867.024	20 x 18	30 5/8	15	15 1/8	8
AM. STD.	REGALYN	4869.012	19 x 17	30 5/8	11	14 1/8	8
AM. STD.	REGALYN	4869.020	20 x 18	30 5/8	15	15 1/8	8
CRANE	FERMONT	1-506	19 x 17	30 3/4	11	14 1/4	9
CRANE	FERMONT	1-506	20 x 18	30 3/4	15	15 1/4	11
KOHLER	HAMPTON	K-2705	19 x 17	30 7/8	11	13 1/4	8
KOHLER	HAMPTON	K-2705	22 x 19	30 3/4	15	14 3/4	10
KOHLER	DELTON	K-2736, 7	18 x 15	30 3/4	11	12 7/8	9 1/2
KOHLER	CHESTER	K-2792	19 x 17	30 3/4	11	12 7/8	8
KOHLER	HUDSON	K-2861, 3	19 x 17	30 1/2	11	13 1/2	9
KOHLER	HUDSON	K-2861, 3	20 x 18	30 3/4	15	14	9

NOTE: The rough-in dimensions listed on this drawing are based on current information available to Jay R. Smith by the fixture manufacturers. We recommend that you verify these dimensions with the fixture manufacturer. We will not accept responsibility for rough-in dimension changes by the fixture manufacturer.

DRAWING NUMBER: **S0782**
 SIZE: **A**
 SCALE: **NONE**
 DATE: **4-28-65**
 APPROVED BY:
 CHECKED BY: **RP**
 DRAWN BY: **SL**
0782
 FIGURE NUMBER

WE CAN ASSUME NO RESPONSIBILITY FOR USE OF SUPERSEDED OR VOID DATA

E	9-26-94	Submittal Update	EMB	BS	WEIGHT POUNDS	VOLUME CUBIC FEET	FIGURE NUMBER
REV.	DATE	DESCRIPTION	BY	CKD. BY			0782

F

SMITH® JAY R. SMITH MFG. CO.®
 MEMBER OF MORRIS GROUP INTERNATIONAL
 POST OFFICE BOX 3237
 MONTGOMERY, ALABAMA 36109-0237 (USA)
 TEL: 334-277-8520 FAX: 334-272-7396 www.jrsmith.com



LOCATION

LAVATORY SUPPORTS WITH EXPOSED ARMS

WALL MOUNTED WITH ACID RESISTANT COATED EXPOSED ARMS

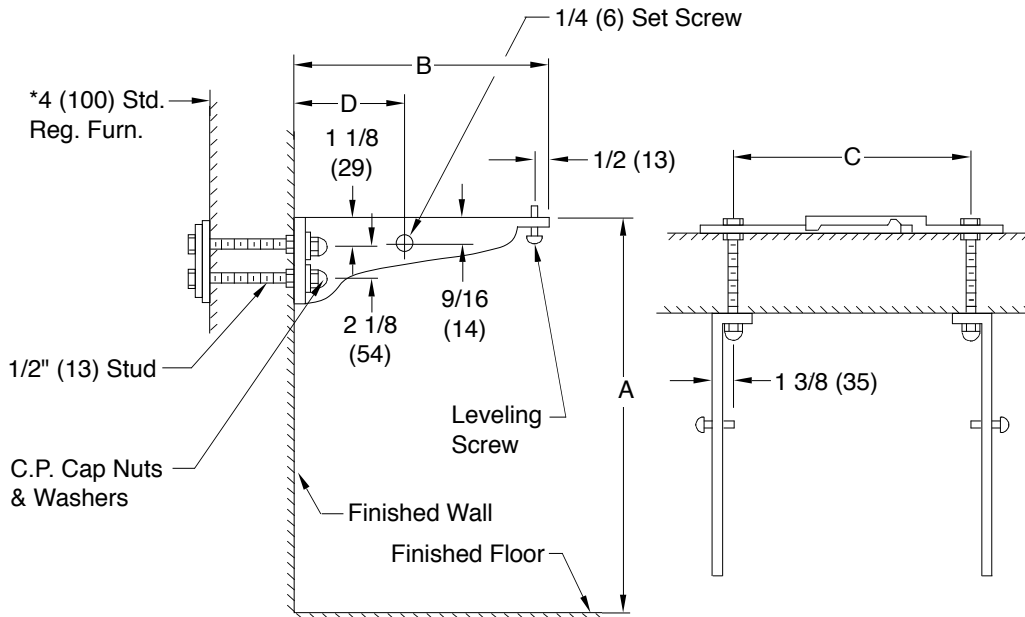


Fig. 0782 . . . WITH OFFSET ARMS FOR HIGH BACK ENAMELED IRON LAVATORIES SET ON BLOCK WALL

* This dimension can be increased when required (specify wall thickness)

ROUGHING-IN TABLE

FIXTURE NAME	NUMBER	SIZE	A	B	C	D

NOTE: The rough-in dimensions listed on this drawing are based on current information available to Jay R. Smith by the fixture manufacturers. We recommend that you verify these dimensions with the fixture manufacturer. We will not accept responsibility for rough-in dimension changes by the fixture manufacturer.

NOTE: Dimensions shown in parentheses are in millimeters.

DRAWING NUMBER
S0782 (B)

SIZE
A

SCALE:
NONE

DATE:
4-28-65

APPROVED BY:

CHECKED BY:
RP

DRAWN BY:
SL

0782

WE CAN ASSUME NO RESPONSIBILITY FOR USE OF SUPERSEDED OR VOID DATA

DIMENSIONS ARE SUBJECT TO MANUFACTURERS TOLERANCE AND CHANGE WITHOUT NOTICE

F	4-2-97	Added Millimeters	EMB	BS	WEIGHT POUNDS	VOLUME CUBIC FEET	FIGURE NUMBER 0782
E	8-12-93	Submittal Update	EMB	BS			
REV.	DATE	DESCRIPTION	BY	CKD. BY			