

SPECIFICATION:

JOSAM 12674-XSD AND 12684-XSD SERIES COATED CAST IRON HORIZONTAL 4" NO-HUB FITTING WITH 2" NO-HUB VENT AND ADJUSTABLE CARRIER BODY, INVERTIBLE FOR SIPHON JET OR BLOWOUT CLOSETS, WITH ABS EXTENSION WITH INTEGRAL TEST CAP, PYLON FEET, ANCHOR FOOT, ANGLE SUPPORT, THREADED ROD, PLATED HARDWARE AND NEOPRENE FIXTURE GASKET.

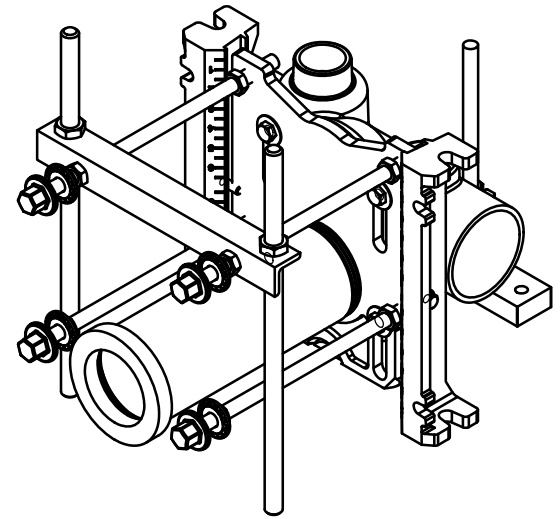
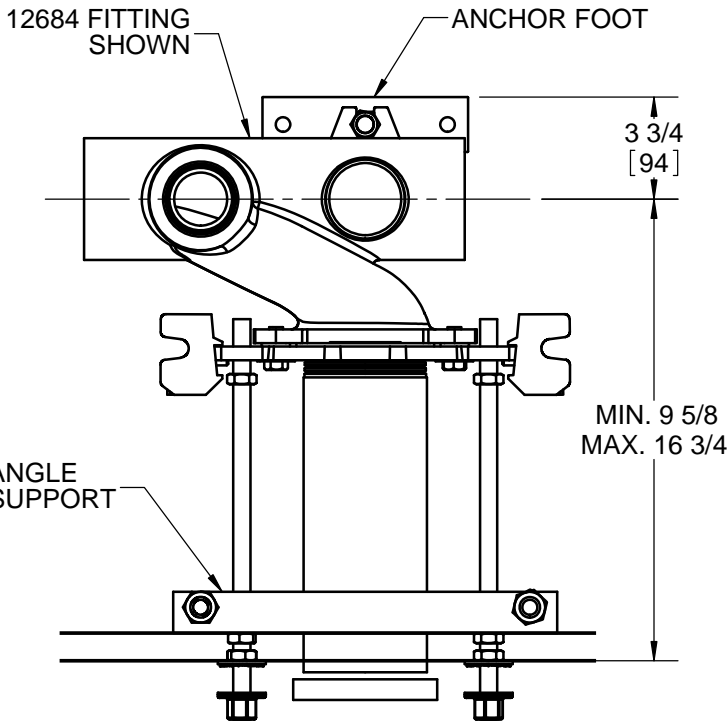
BARIATRIC CARRIER

(RIGHT HAND SHOWN)

12674-XSD

12684-XSD

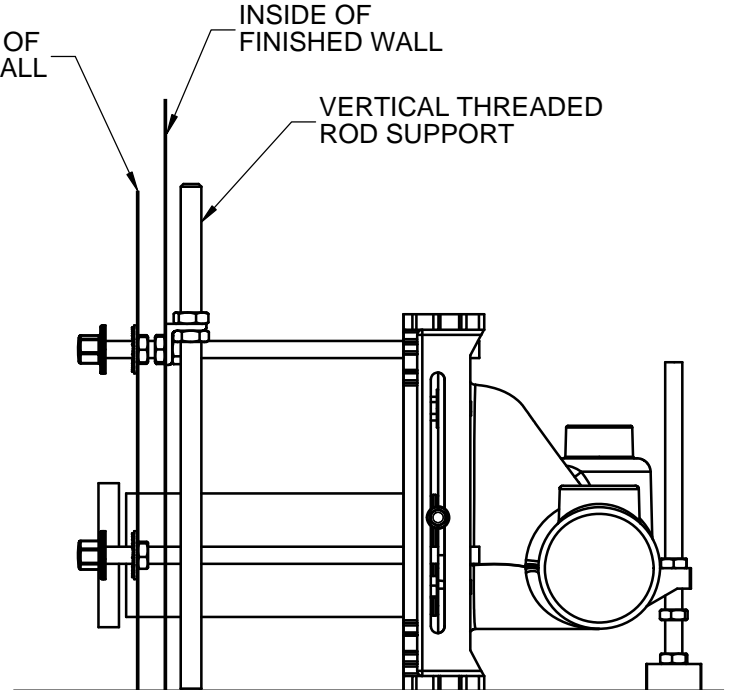
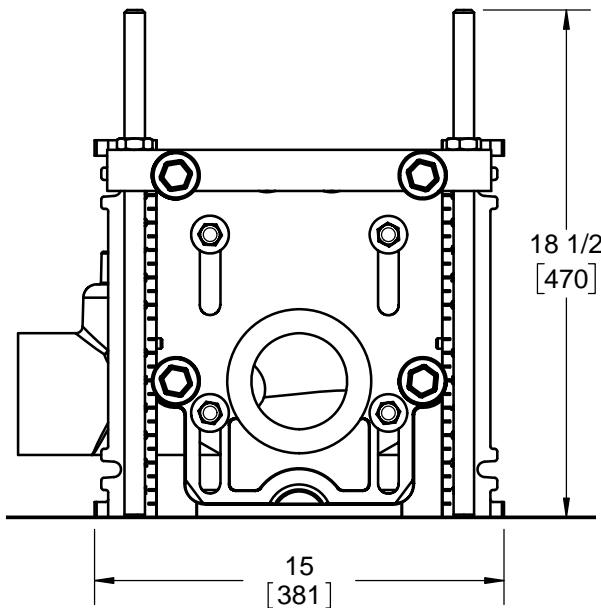
SERIES



OUTSIDE OF FINISHED WALL

INSIDE OF FINISHED WALL

VERTICAL THREADED ROD SUPPORT



RECOMMEND CONCRETE ANCHORS WITH 750 LBS. PULL-OUT FORCE EACH.

THIS PRODUCT MEETS OR EXCEEDS THE REQUIREMENTS OF ANSI A112.6.1M-1997 WHEN TESTED AT 1,000 POUNDS.

WARNING: Cancer and Reproductive Harm - www.P65Warnings.ca.gov

DATE OF LAST CHANGE: 5/29/18

DIMENSIONS ARE SUBJECT TO MANUFACTURERS TOLERANCES AND CHANGE WITHOUT NOTICE. WE CAN ASSUME NO RESPONSIBILITY FOR USE OF SUPERSEDED OR VOID DATA.

JOSAM

MICHIGAN CITY, INDIANA

NOTES