

SPECIFICATION:

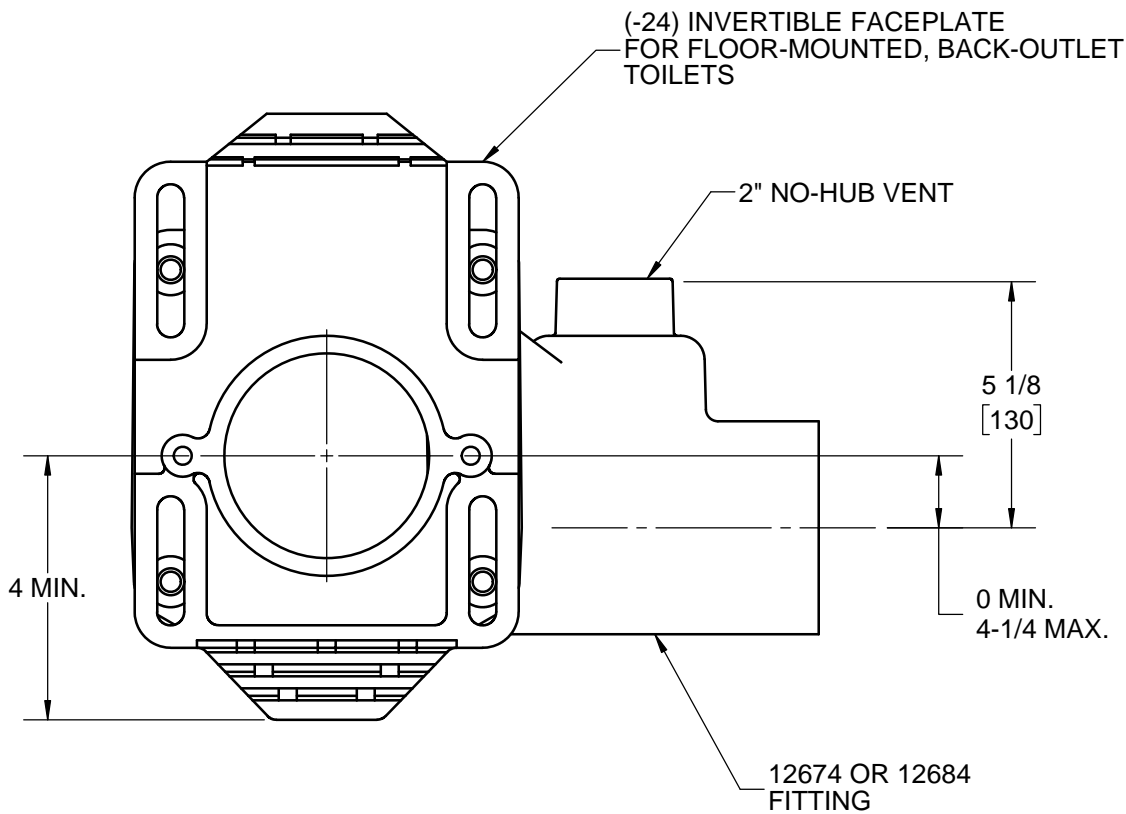
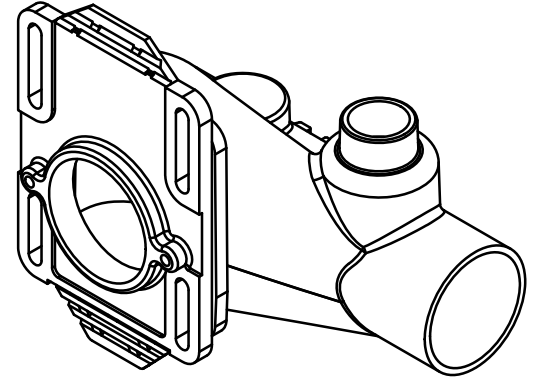
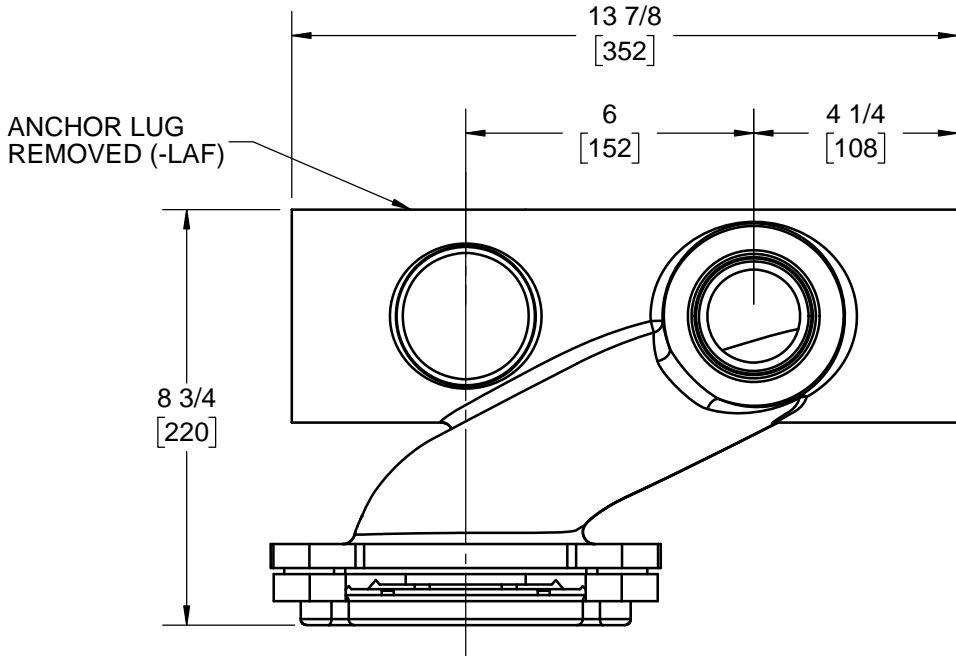
JOSAM SERIES 12674/12684 -24 -LAF COATED CAST IRON CARRIER FITTING ASSEMBLY FOR FLOOR-MOUNTED, BACK-OUTLET TOILETS, WITH ANCHOR LUG REMOVED FOR NARROW CHASE INSTALLATIONS. FOR MORE DETAILS, SEE 12674 OR 12684 DRAWINGS.

**CLOSET CARRIER
HORIZONTAL, LESS ANCHOR**

12674/12684

SERIES **-24-LAF**

12674 SHOWN
STD. HARDWARE NOT SHOWN
PROVIDED WITH STANDARD EXTENSION AND FIXTURE
GASKET FOR BOWL CONNECTION



WARNING: Cancer and Reproductive Harm - www.P65Warnings.ca.gov

DATE OF LAST CHANGE: 5/29/18

DIMENSIONS ARE SUBJECT TO MANUFACTURERS TOLERANCES AND CHANGE WITHOUT NOTICE. WE CAN ASSUME NO RESPONSIBILITY FOR USE OF SUPERSEDED OR VOID DATA.

JOSAM

MICHIGAN CITY, INDIANA

NOTES