

**SPECIFICATION:**

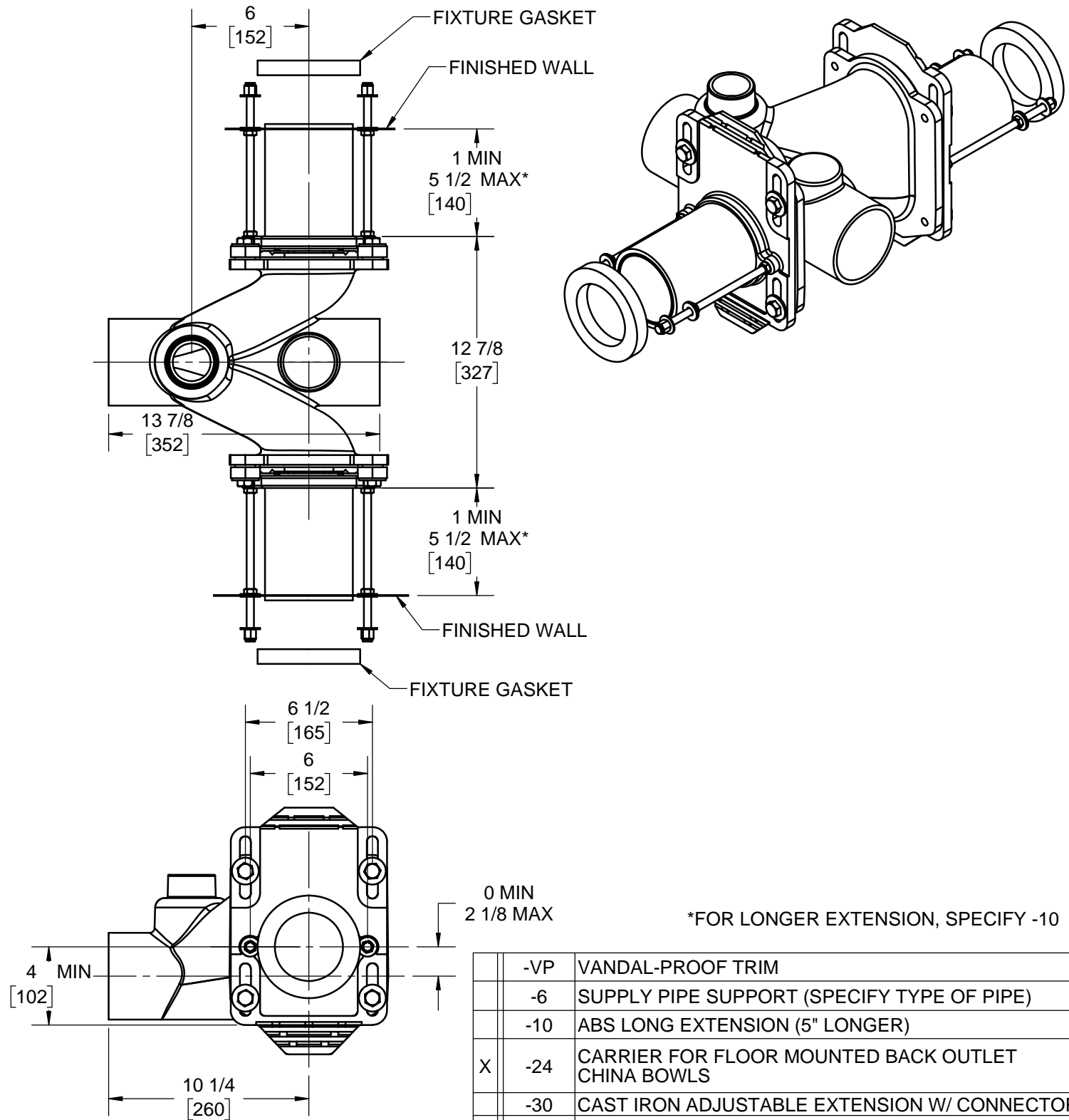
JOSAM 12694-24 SERIES CARRIER FOR FLOOR MOUNTED BACK OUTLET BOWLS. COATED CAST IRON BACK TO BACK HORIZONTAL 4" NO-HUB FITTING WITH 2" NO-HUB VENT, FOR SIPHON JET ONLY, WITH ABS EXTENSIONS AND INTEGRAL TEST CAPS, PLATED HARDWARE AND NEOPRENE FIXTURE GASKETS.

**CLOSET CARRIER**

HORIZONTAL, BACK TO BACK CLOSET

SERIES

**12694-24**



\*FOR LONGER EXTENSION, SPECIFY -10

	-VP	VANDAL-PROOF TRIM
	-6	SUPPLY PIPE SUPPORT (SPECIFY TYPE OF PIPE)
	-10	ABS LONG EXTENSION (5" LONGER)
X	-24	CARRIER FOR FLOOR MOUNTED BACK OUTLET CHINA BOWLS
	-30	CAST IRON ADJUSTABLE EXTENSION W/ CONNECTOR
	-30-2	CAST IRON ADJ. EXT. W/ CONNECTOR & TEST CAP
	-45	THREADED LEFT-HAND AUXILIARY INLET
	-46	THREADED RIGHT-HAND AUXILIARY INLET

WARNING: Cancer and Reproductive Harm - www.P65Warnings.ca.gov

DATE OF LAST CHANGE: 5/29/18

DIMENSIONS ARE SUBJECT TO MANUFACTURERS TOLERANCES AND CHANGE WITHOUT NOTICE. WE CAN ASSUME NO RESPONSIBILITY FOR USE OF SUPERSEDED OR VOID DATA.



MICHIGAN CITY, INDIANA

NOTES