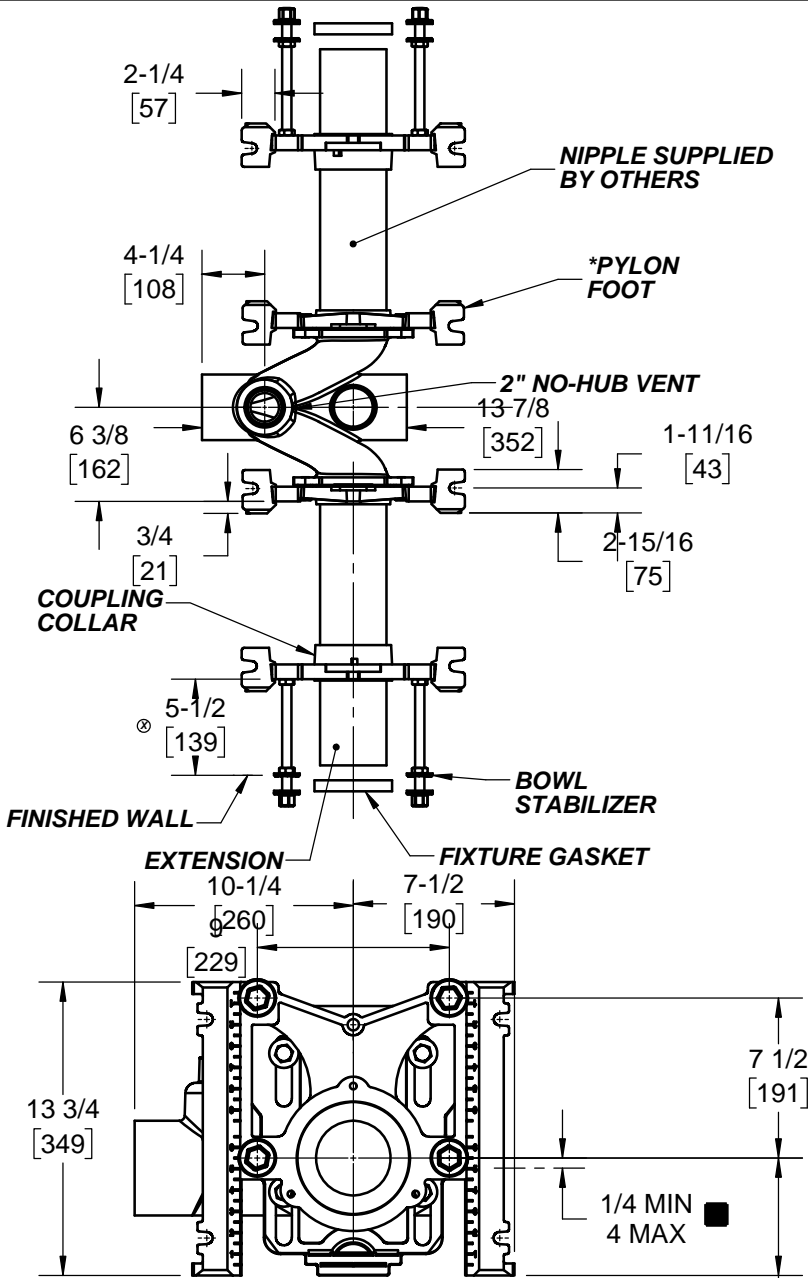


SPECIFICATION:

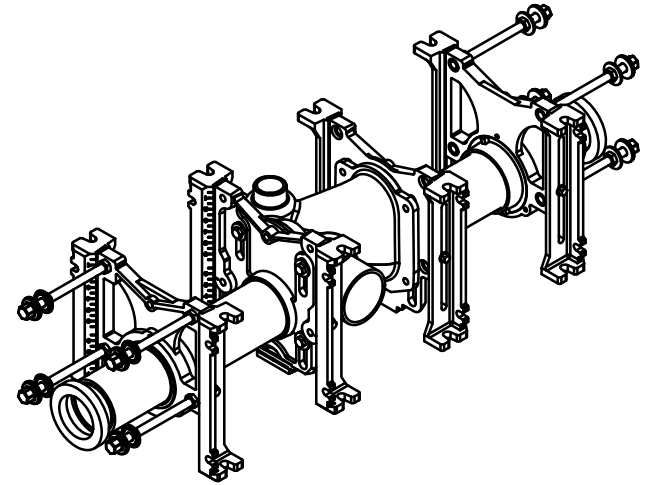
JOSAM 12694-32 SERIES COATED CAST IRON SINGLE HORIZONTAL 4" NO-HUB BACK-TO-BACK FITTING WITH 2" NO-HUB VENT AND ADJUSTABLE CARRIER BODY, INVERTIBLE FOR SIPHON JET OR BLOWOUT CLOSETS, WITH ABS EXTENSIONS WITH INTEGRAL TEST CAPS, PYLON FEET, PLATED HARDWARE AND NEOPRENE FIXTURE GASKETS.

**CLOSET CARRIER
BACK-TO-BACK**

SERIES **12694-32**



* RECOMMEND FEET BE SECURED TO FLOOR WITH 1/2 FASTENERS & ANCHORS (BY OTHERS)



⊗ FOR DIMENSIONS SHORTER THAN 5-1/2" (1" MIN.) CUT EXTENSION. FOR LONGER EXTENSION LENGTH (10-1/2" MAX.) SPECIFY (-10)

SIPHON JET DIMENSIONS SHOWN. FOR BLOWOUT DIMENSIONS USE:

■ MIN. 2" & MAX. 4"

● MIN. 11" & MAX. 16-1/2"

● FOR SIPHON JET ROUGHING OVER 6" OR BLOWOUT ROUGHING OVER 12-1/2" SPECIFY ON ORDER

⊗ AUXILIARY INLET IS 6" OFFSET FROM VENT

-PF	PYLON FOOT (STANDARD)	-XSD	EXTRA SPECIAL-DUTY 1,000 lbs. CARRIER
-OR	O-RING CARRIER	-6	SUPPLY PIPE SUPPORT (SPECIFY TYPE OF PIPE)
-SD	SPECIAL-DUTY 500 lbs. CARRIER	-10	ABS EXTENSION THROUGH 10-1/2" WALL
-AUX	⊗ AUXILIARY INLET (2" NO-HUB)	-24	FLOOR MOUNTED BACK OUTLET CHINA BOWL
-HUB AUX	⊗ AUXILIARY INLET (2" HUB)	-30	CAST IRON ADJ. EXT. WITH CONNECTOR
-VP	SECURED TRIM	-30-2	CAST IRON ADJ. EXT. WITH CONNECTOR & TEST CAP
-1	POSITIONING FRAME	X -32	CARRIER FOR WIDE CHASE INSTALLATIONS
-58	HORIZONTAL NO-HUB CAST LONG BARREL	-35	CARRIER FOR WHEEL CHAIR HIGH ROUGH

DATE OF LAST CHANGE: 5/29/18

DIMENSIONS ARE SUBJECT TO MANUFACTURERS TOLERANCES AND CHANGE WITHOUT NOTICE. WE CAN ASSUME NO RESPONSIBILITY FOR USE OF SUPERSEDED OR VOID DATA.

JOSAM
MICHIGAN CITY, INDIANA

NOTES

WARNING: Cancer and Reproductive Harm - www.P65Warnings.ca.gov