

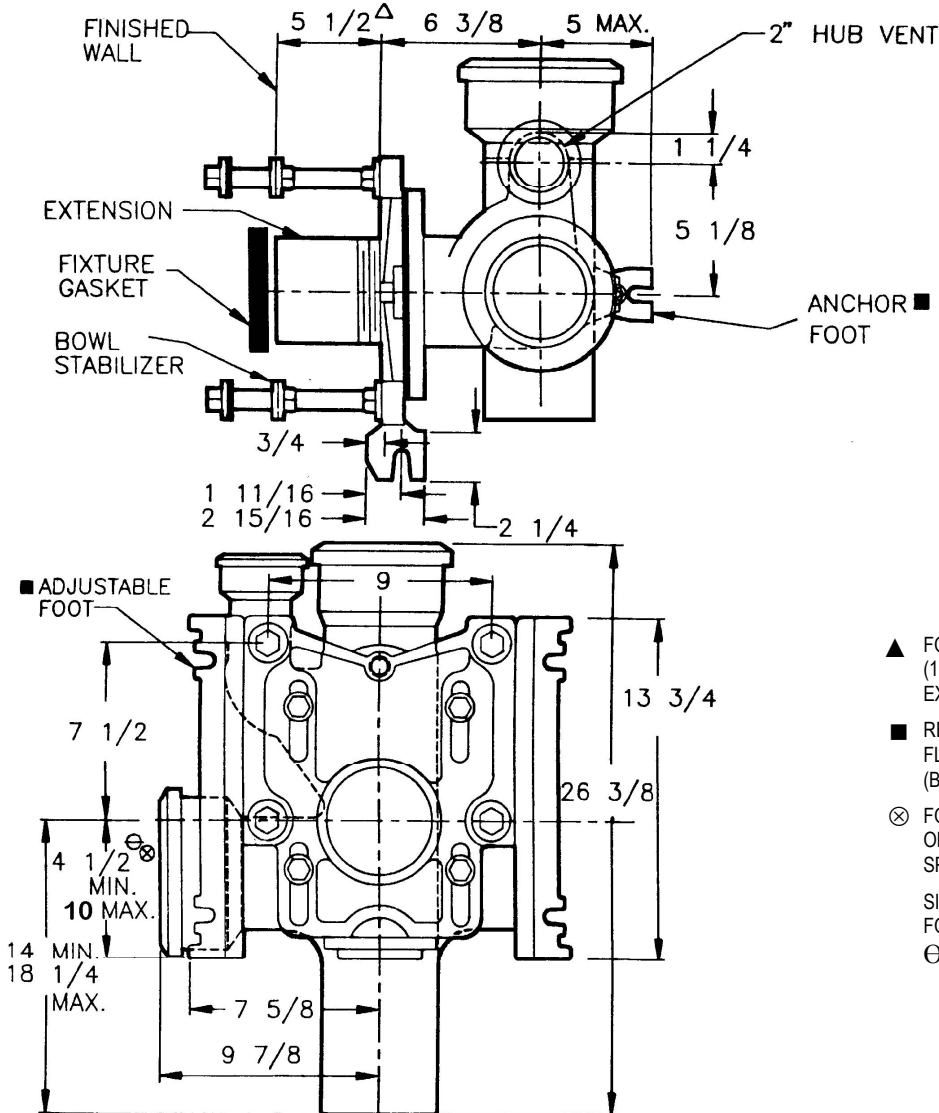
SPECIFICATION:

JOSAM 12704-HS-HLH4 SERIES COATED CAST IRON SINGLE VERTICAL 4" HUB & SPIGOT FITTING WITH LEFT-HAND 4" HUB & SPIGOT BRANCH INLET AND 2" HUB & SPIGOT LEFT-HAND OFFSET VENT. ADJUSTABLE CARRIER BODY, INVERTIBLE FOR SIPHON JET OR BLOWOUT CLOSETS, WITH ABS EXTENSION WITH INTEGRAL TEST CAP, PYLON FEET, ANCHOR FOOT, PLATED HARDWARE AND NEOPRENE FIXTURE GASKET.

**CLOSET CARRIER
VERTICAL W/ LEFT HAND VENT**

SERIES 12704-HS-HLH4

FORMERLY 12174A SERIES



▲ FOR DIMENSION SHORTER THAN 5-1/2" (1" MIN) CUT EXTENSION. FOR LONGER EXTENSION (10-1/2" MAX) SPECIFY (-10)

■ RECOMMEND FEET BE SECURED TO FLOOR WITH 1/2" BOLT'S AND ANCHORS (BY OTHERS).

⊗ FOR SIPHON JET ROUGHING OVER 6" OR BLOWOUT ROUGHING OVER 12-1/2" SPECIFY ON ORDER.

SIPHON JET DIM'S SHOWN FOR BLOWOUT DIMS, USE:

⊖ MIN 11 & MAX 16-1/2"

- PF PYLON FOOT, STD.
- OR O-RING CARRIER
- SD SPECIAL-DUTY 500LB. CARRIER
- HS HUB & SPIGOT
- RH4 RIGHT-HAND 4" NO-HUB BRANCH
- HLH4 LEFT-HAND 4" HUB BRANCH
- VP VANDAL-PROOF TRIM
- 1 POSITIONING FRAME
- 6 SUPPLY PIPE SUPPORT (SPECIFY TYPE OF PIPE)

- 10 ABS EXTENSION THROUGH 10-1/2" WALL
- 24 FLOOR MOUNTED BACK OUTLET CHINA BOWL
- 30 CAST IRON ADJ. EXTENSION W/ CONNECTOR
- 30-2 CAST IRON ADJ. EXTENSION W/ CONNECTOR & TEST CAP
- 32 CARRIER FOR WIDE CHASE INSTALLATIONS
- 35 CARRIER FOR WHEELCHAIR HIGH ROUGH
- 50 NO-HUB AUXILIARY INLET, OPPOSITE VENT
- 54 THREADED AUXILIARY INLET, OPPOSITE VENT

DRAWING No.

A-14678-K

JOSAM COMPANY
MICHIGAN CITY, INDIANA

NOTES: