

**SPECIFICATION:**

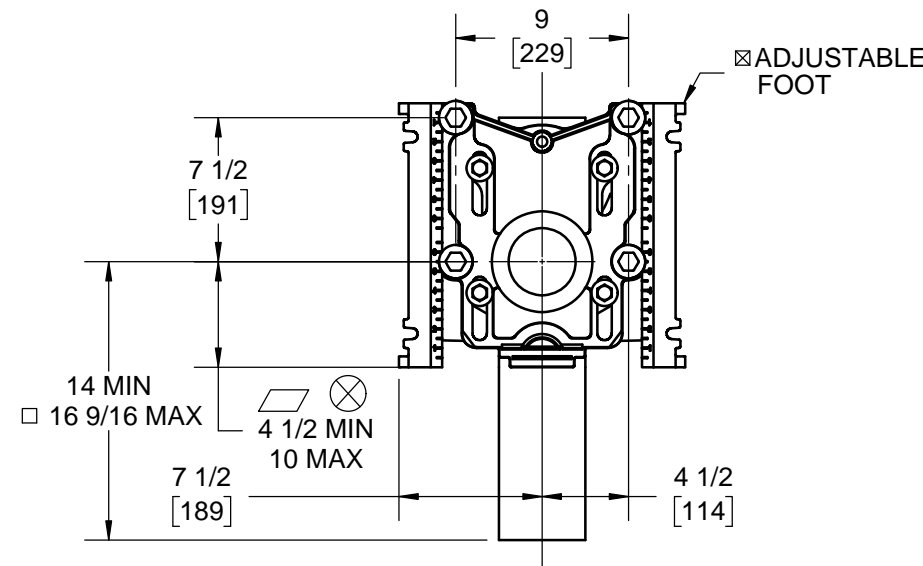
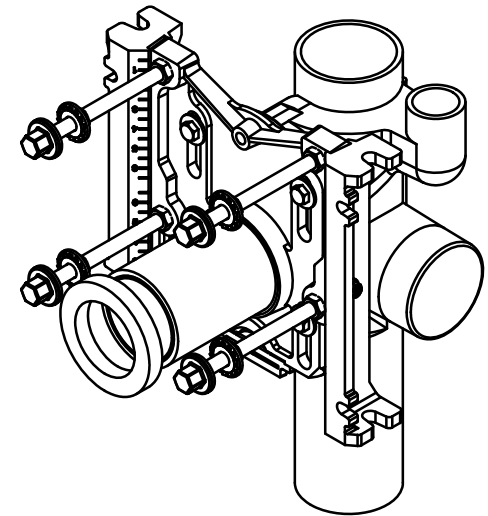
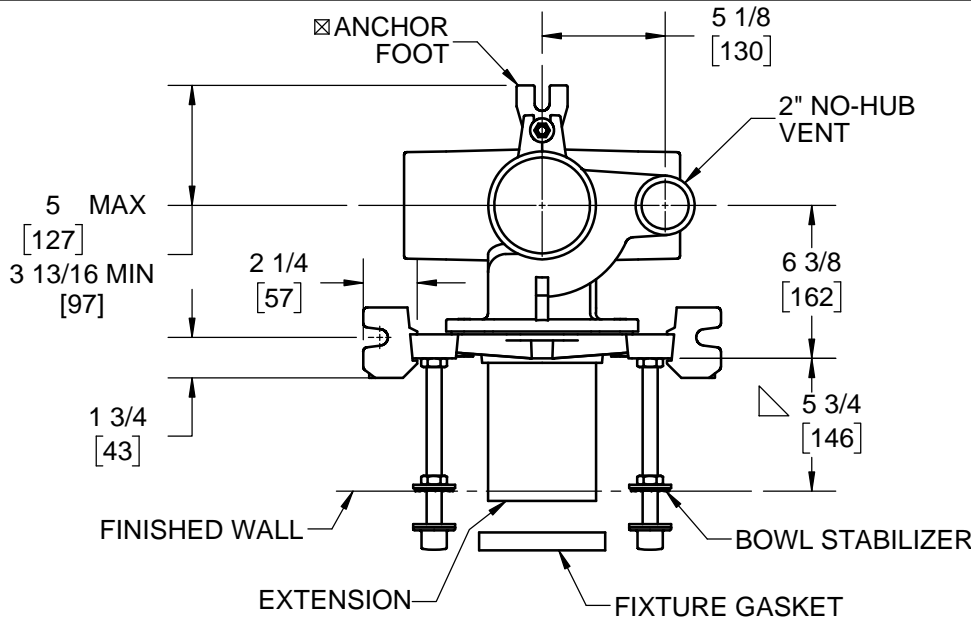
JOSAM 12714 SERIES COATED CAST IRON SINGLE VERTICAL 4" NO-HUB FITTING WITH 2" NO-HUB RIGHT-HAND OFFSET VENT, ADJUSTABLE CARRIER BODY, INVERTIBLE FOR SIPHON JET OR BLOWOUT CLOSETS, WITH ABS EXTENSION WITH INTEGRAL TEST CAP, PYLON FEET, ANCHOR FOOT, PLATED HARDWARE AND NEOPRENE FIXTURE GASKET

**CLOSET CARRIER**

VERTICAL WITH RIGHT HAND VENT

SERIES

**12714**



△ FOR DIMENSION SHORTER THAN 5-1/2" (1" MIN) CUT EXTENSION. FOR LONGER EXTENSION (10-1/2" MAX) SPECIFY (-10)

☒ RECOMMEND FEET BE SECURED TO FLOOR WITH 1/2" BOLTS AND ANCHORS (BY OTHERS).

⊗ FOR SIPHON JET ROUGHING OVER 6" OR BLOWOUT ROUGHING OVER 12-1/2" SPECIFY ON ORDER.

SIPHON JET DIMS SHOWN. FOR BLOWOUT DIMS, USE:

▭ MIN 11 & MAX 16-1/2  
 □ MIN 15 11/16 & MAX 18-1/4

-XSD	EXTRA SPECIAL-DUTY 1,000 LB CARRIER	-1	POSITIONING FRAME
-PF	PYLON FOOT, STD.	-6	SUPPLY PIPE SUPPORT (SPECIFY TYPE OF PIPE)
-OR	O-RING CARRIER	-10	ABS EXTENSION THROUGH 10-1/2" WALL
-SD	SPECIAL-DUTY 500 LB. CARRIER	-24	FLOOR MOUNTED BACK OUTLET CHINA BOWL
-HS	HUB & SPIGOT	-30	CAST IRON ADJ. EXTENSION W/ CONNECTOR
-LH4	LEFT-HAND 4" NO-HUB BRANCH	-30-2	CAST IRON ADJ. EXTENSION W/ CONNECTOR & TEST CAP
-HLH4	LEFT-HAND 4" HUB BRANCH	-32	CARRIER FOR WIDE CHASE INSTALLATIONS
-RH4	RIGHT-HAND 4" NO-HUB BRANCH	-35	CARRIER FOR WHEELCHAIR HIGH ROUGH
-HRH4	RIGHT-HAND 4" HUB BRANCH	-49	NO-HUB AUXILIARY INLET, UNDER VENT
-D4	DOUBLE 4" NO-HUB BRANCHES	-50	NO-HUB AUXILIARY INLET, OPPOSITE VENT
-HD4	DOUBLE 4" HUB BRANCHES	-53	THREADED AUXILIARY INLET, UNDER VENT
-VP	VANDAL-PROOF TRIM	-54	THREADED AUXILIARY INLET, OPPOSITE VENT

WARNING: Cancer and Reproductive Harm - www.P65Warnings.ca.gov

DATE OF LAST CHANGE: 5/30/18

DIMENSIONS ARE SUBJECT TO MANUFACTURERS TOLERANCES AND CHANGE WITHOUT NOTICE. WE CAN ASSUME NO RESPONSIBILITY FOR USE OF SUPERSEDED OR VOID DATA.

**JOSAM**

MICHIGAN CITY, INDIANA

NOTES