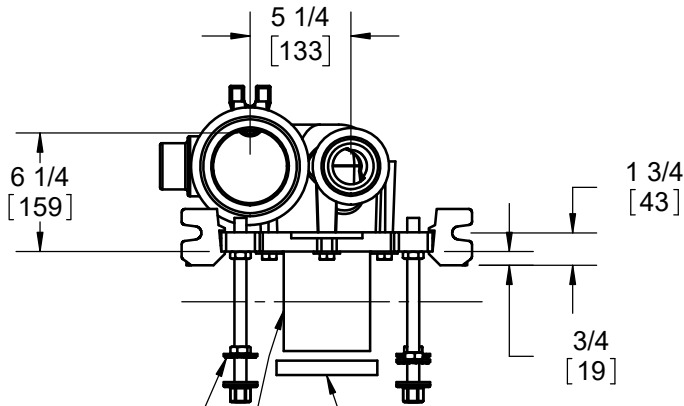
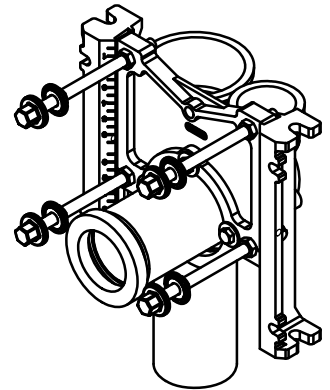


SPECIFICATION:

JOSAM 14424 SERIES COATED CAST IRON SINGLE VERTICAL 4" NO-HUB RIGHT-HAND OFFSET FITTING WITH 2" NO-HUB VENT, ADJUSTABLE CARRIER BODY, INVERTIBLE FOR SIPHON JET OR BLOWOUT CLOSETS, WITH ABS EXTENSION WITH INTEGRAL TEST CAP, PYLON FEET, PLATED HARDWARE AND NEOPRENE FIXTURE GASKET.

CLOSET CARRIER
SINGLE, RIGHT HAND OFFSET
AND 2" VENT

SERIES **14424**



BOWL STABILIZER
EXTENSION
FIXTURE GASKET

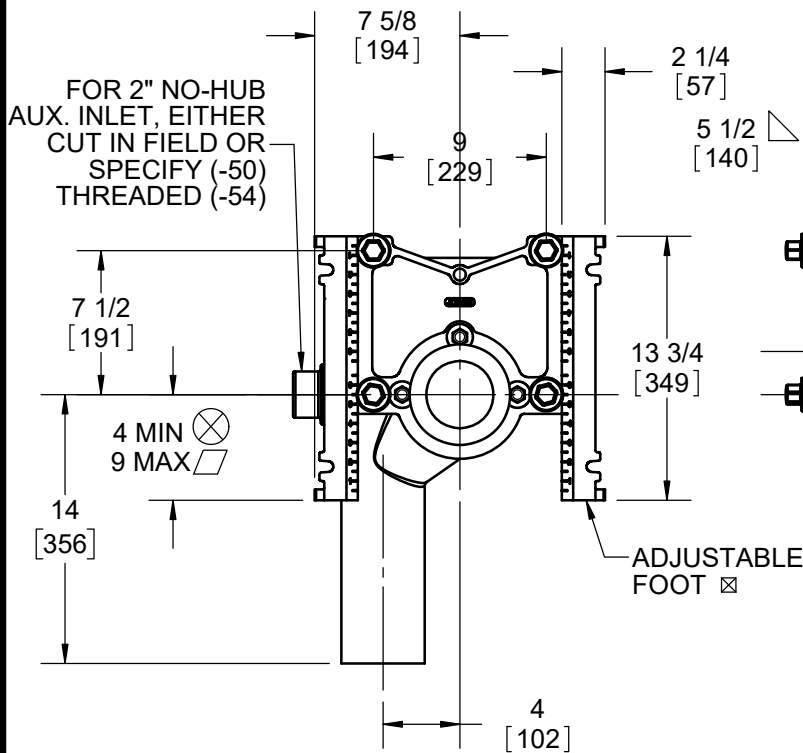
▽ FOR DIMENSION SHORTER THAN 5-1/2" (1" MIN) CUT EXTENSION FOR LONGER EXTENSION (10-1/2" MAX) SPECIFY (-10).

☒ RECOMMEND FEET BE SECURED TO FLOOR WITH 1/2" BOLTS AND ANCHORS (BY OTHERS).

⊗ FOR SIPHON JET ROUGHING OVER 6" OR BLOWOUT ROUGHING OVER 12-1/2" SPECIFY ON ORDER.

SIPHON JET DIMS SHOWN. FOR BLOWOUT DIMS, USE:

▱ MIN 11" & MAX 16 1/2"



FOR 2" NO-HUB AUX. INLET, EITHER CUT IN FIELD OR SPECIFY (-50) THREADED (-54)

ADJUSTABLE FOOT ☒

ANCHOR FOOT ☒

WARNING: Cancer and Reproductive Harm - www.P65Warnings.ca.gov

-SD	SPECIAL DUTY 500 LB CARRIER	-XSD	EXTRA SPECIAL DUTY 1000 LB
-VP	VANDAL-PROOF TRIM	-30	CAST IRON ADJ EXT W/ CONNECTOR
-1	POSITIONING FRAME	-30-2	CAST IRON ADJ. EXT. W/ CONN & TEST CAP
-6	SUPPLY PIPE SUPPORT (SPECIFY TYPE OF PIPE)	-50	NO-HUB HIGH AUX. INLET, OPPOSITE VENT
-10	ABS EXTENSION THROUGH 10-1/2" WALL	-54	THREADED HIGH AUX. INLET, OPPOSITE VENT
-24	CARRIER FOR FLOOR MOUNTED BACK OUTLET CHINA BOWLS		

DATE OF LAST CHANGE: 06/22/18

DIMENSIONS ARE SUBJECT TO MANUFACTURERS TOLERANCES AND CHANGE WITHOUT NOTICE. WE CAN ASSUME NO RESPONSIBILITY FOR USE OF SUPERSEDED OR VOID DATA.

JOSAM
MICHIGAN CITY, INDIANA

NOTES