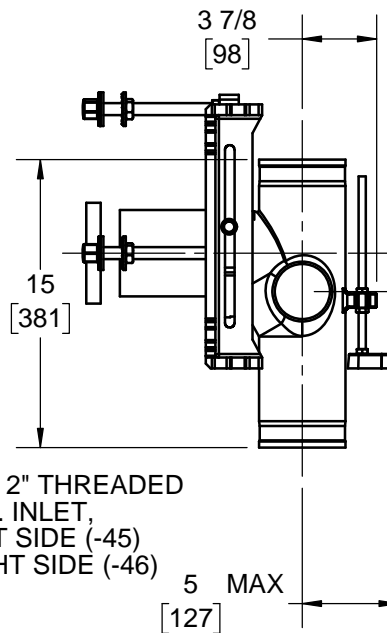
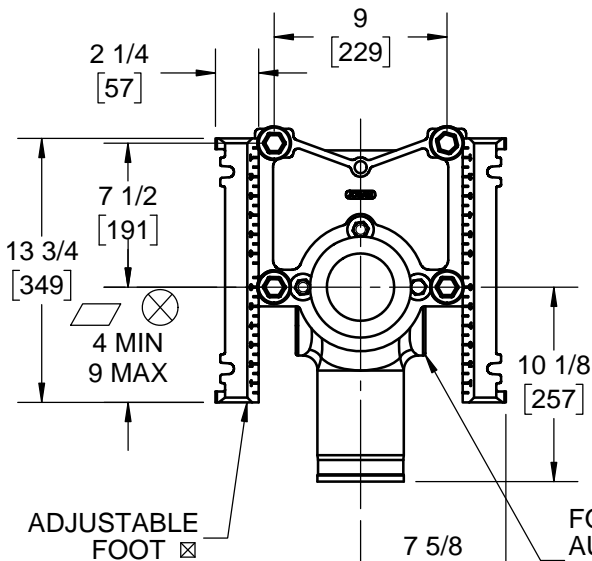
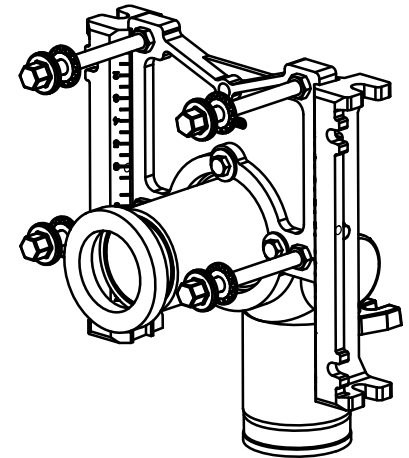
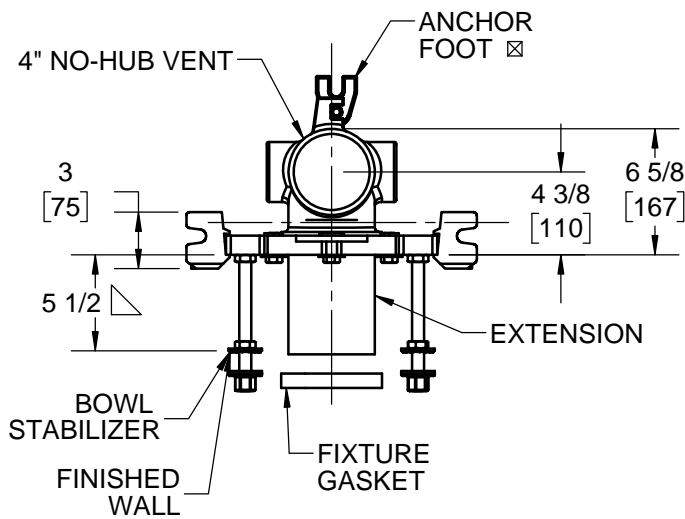


SPECIFICATION:

JOSAM 14464 SERIES COATED CAST IRON SINGLE VERTICAL 4" NO-HUB SINGLE FITTING WITH 4" NO-HUB VENT, ADJUSTABLE CARRIER BODY, INVERTIBLE FOR SIPHON JET OR BLOWOUT CLOSETS, WITH ABS EXTENSION WITH INTEGRAL TEST CAP, PYLON FEET, PLATED HARDWARE AND NEOPRENE FIXTURE GASKET.

**CLOSET CARRIER
SINGLE CLOSE WITH 4" VENT**

SERIES **14464**



2 [51]

▽ FOR DIMENSION SHORTER THAN 5-1/2" (1" MIN) CUT EXTENSION FOR LONGER EXTENSION (10-1/2" MAX) SPECIFY (-10).

⊠ RECOMMEND FEET BE SECURED TO FLOOR WITH 1/2" BOLTS AND ANCHORS (BY OTHERS).

⊗ FOR SIPHON JET ROUGHING OVER 6" OR BLOWOUT ROUGHING OVER 12-1/2" SPECIFY ON ORDER.

SIPHON JET DIMS SHOWN. FOR BLOWOUT DIMS, USE:

▱ MIN 11" & MAX 16 1/2"

-SD	SPECIAL DUTY 500 LB CARRIER
-VP	VANDAL-PROOF TRIM
-1	POSITIONING FRAME
-6	SUPPLY PIPE SUPPORT (SPECIFY TYPE OF PIPE)
-10	ABS EXTENSION THROUGH 10-1/2" WALL
-24	CARRIER FOR FLOOR MOUNTED BACK OUTLET CHINA BOWLS

-30	CAST IRON ADJ. EXT. W/ CONNECTOR
-30-2	CAST IRON ADJ. EXT. W/ CONNECTOR & TEST CAP
-45	THREADED LEFT-HAND AUXILIARY INLET
-46	THREADED RIGHT-HAND AUXILIARY INLET
-XSD	EXTRA SPECIAL DUTY 1,000 LB CARRIER

DATE OF LAST CHANGE: 5/31/18

DIMENSIONS ARE SUBJECT TO MANUFACTURERS TOLERANCES AND CHANGE WITHOUT NOTICE. WE CAN ASSUME NO RESPONSIBILITY FOR USE OF SUPERSEDED OR VOID DATA.

JOSAM

MICHIGAN CITY, INDIANA

NOTES