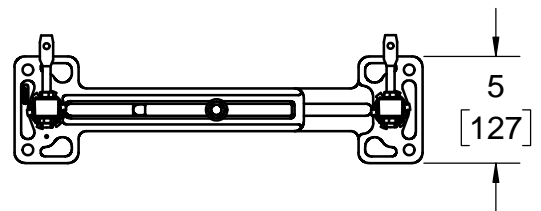
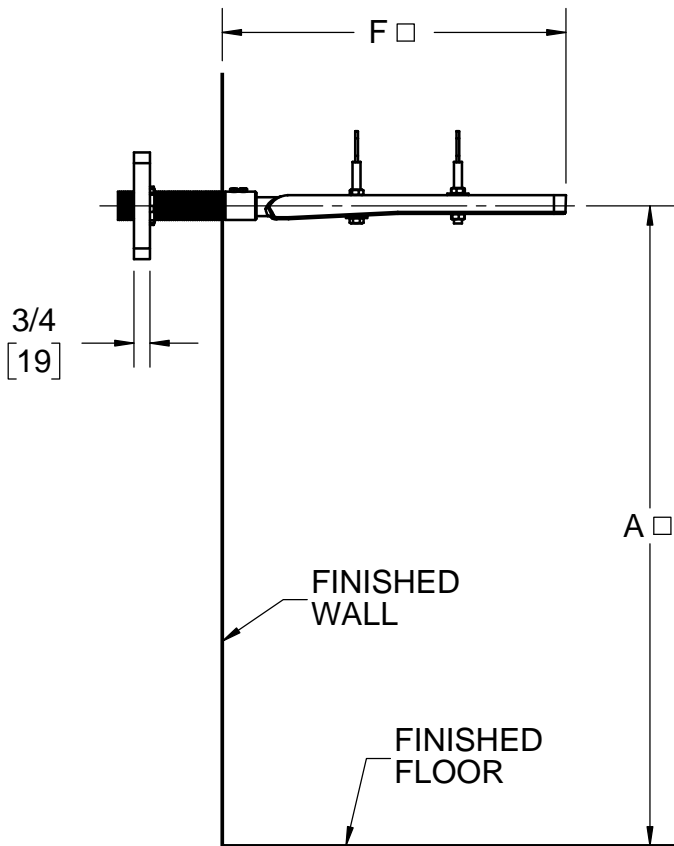
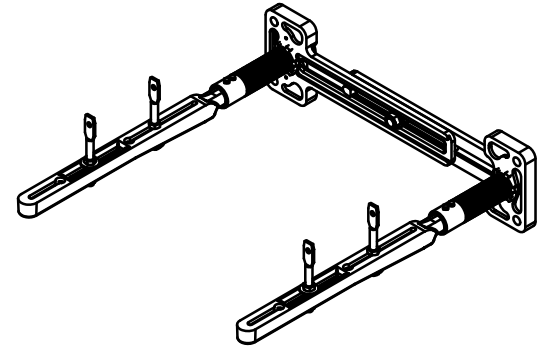
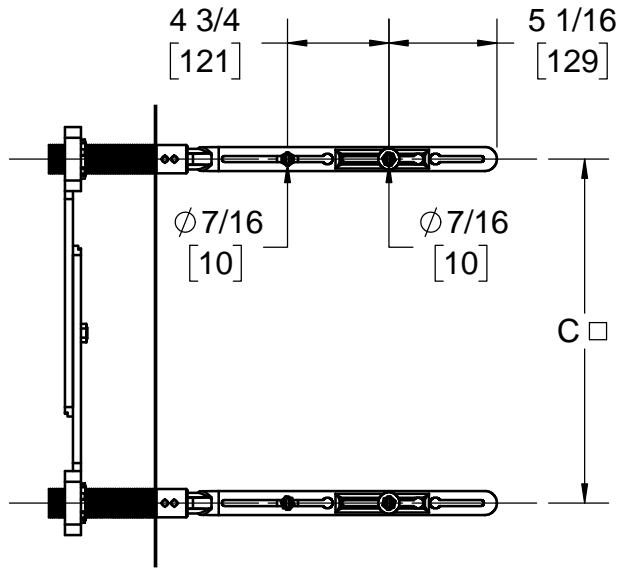


**SPECIFICATION:**

JOSAM 17120-M1568 SERIES WALL-MOUNTED, SINGLE LAVATORY CARRIER WITH CONCEALED ARMS, LEVELING AND SECURING SCREWS, AND ADJUSTABLE WALL PLATE. DESIGNED TO SUPPORT CECO 551A AND ZURN Z5840 LAVATORIES.

**LAVATORY CARRIER  
WALL-MOUNT  
CONCEALED ARM SPECIAL**

SERIES **17120-M1568**



MANUFACTURER \_\_\_\_\_

NUMBER \_\_\_\_\_

SIZE \_\_\_\_\_

NAME \_\_\_\_\_

DIMENSIONS

A \_\_\_\_\_

C \_\_\_\_\_

F \_\_\_\_\_

RIM HEIGHT \_\_\_\_\_  
BASED ON "A" DIM SHOWN

WARNING: Cancer and Reproductive Harm - www.P65Warnings.ca.gov

DATE OF LAST CHANGE: 01/21/19

DIMENSIONS ARE SUBJECT TO MANUFACTURERS TOLERANCES AND CHANGE WITHOUT NOTICE. WE CAN ASSUME NO RESPONSIBILITY FOR USE OF SUPERSEDED OR VOID DATA.

**JOSAM**

MICHIGAN CITY, INDIANA

NOTES