

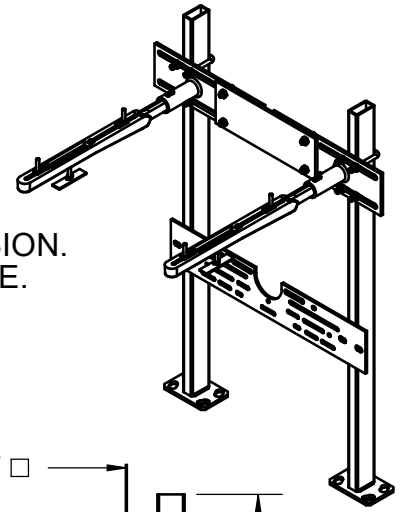
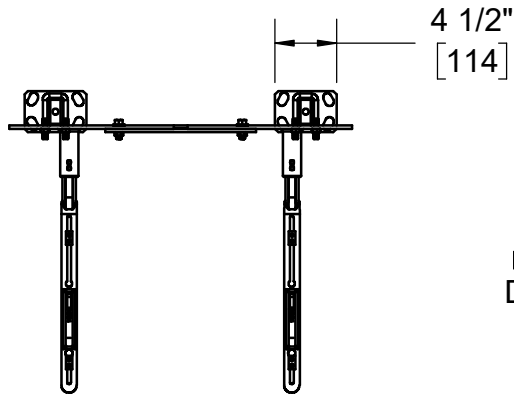
**SPECIFICATION:**

JOSAM 17125-UP-ADJ SERIES FLOOR-MOUNTED, SINGLE LAVATORY CARRIER WITH TWO CONCEALED ARMS, LEVELING AND SECURING SCREWS, TWO UPRIGHTS. DIMENSION C IS ADJUSTABLE AND TOP PLATE CAN ALSO BE SHIFTED LEFT OR RIGHT FROM CENTER AT JOB SITE.

**LAVATORY CARRIER**

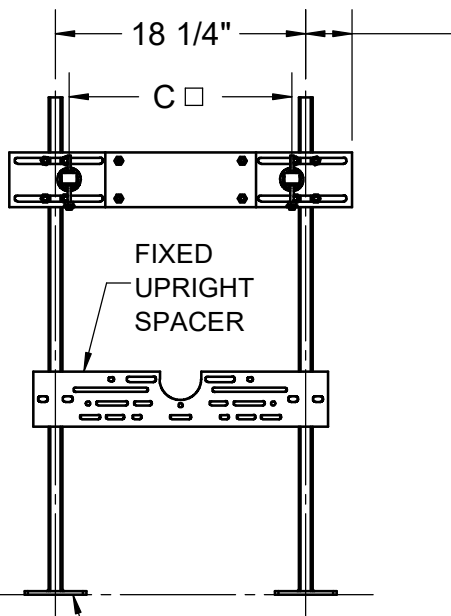
FLOOR MOUNTED CONCEALED ARM  
ADJUSTABLE SINGLE STATION

SERIES **17125-UP-ADJ**

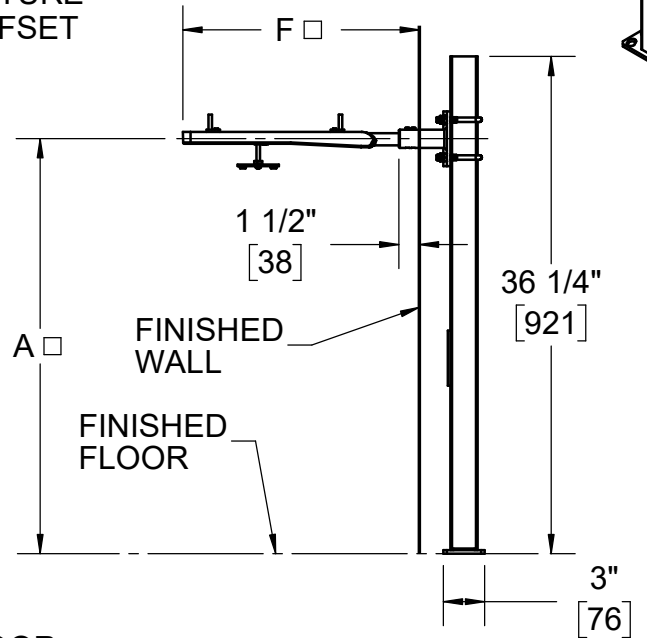


□: VARIABLE DIMENSION.  
DEPENDS ON FIXTURE.

DIM C:  
ARM SPACING  
MIN = 15-1/4"  
MAX = 21-1/4"



ADJUSTABLE  
FIXTURE  
OFFSET



MANUFACTURER \_\_\_\_\_

NUMBER \_\_\_\_\_

SIZE \_\_\_\_\_

NAME \_\_\_\_\_

DIMENSIONS

A \_\_\_\_\_

C \_\_\_\_\_

D \_\_\_\_\_

F \_\_\_\_\_

RIM HEIGHT  
BASED ON "A" DIM SHOWN

JOSAM RECOMMENDS  
FEET BE SECURED TO FLOOR  
WITH 1/2" BOLTS AND  
ANCHORS BY OTHERS

AUTHORIZED PROJECT  
SIGNATURE AND DATE:

NAME:

TITLE:

SIGNATURE:

DATE:

*NOTE: ALL PRE-FAB CARRIERS ARE CUSTOM  
FABRICATED. ORDERS ARE NON-CANCELLABLE  
AND NON-RETURNABLE.*

DATE OF LAST CHANGE: 04/30/20

DIMENSIONS ARE SUBJECT TO MANUFACTURERS  
TOLERANCES AND CHANGE WITHOUT NOTICE.  
WE CAN ASSUME NO RESPONSIBILITY FOR  
USE OF SUPERSEDED OR VOID DATA.

**JOSAM**

MICHIGAN CITY, INDIANA

NOTES

WARNING: Cancer and Reproductive Harm - www.P65Warnings.ca.gov