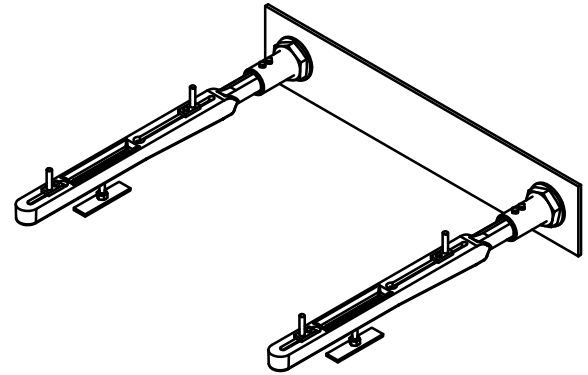
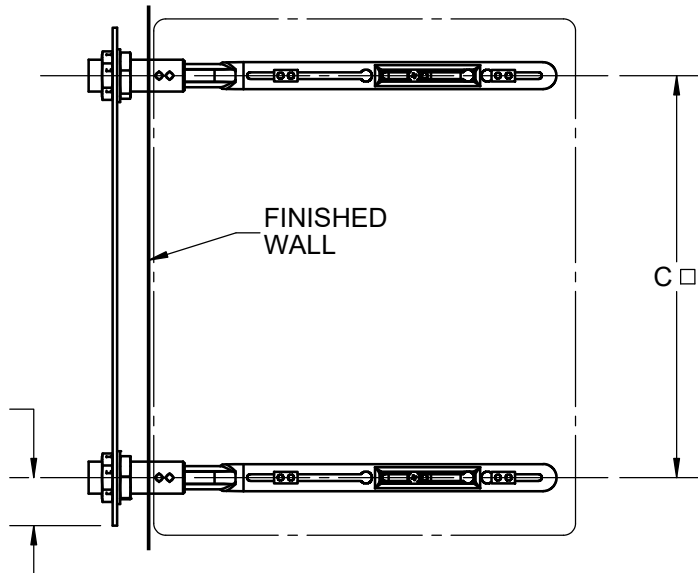


SPECIFICATION:

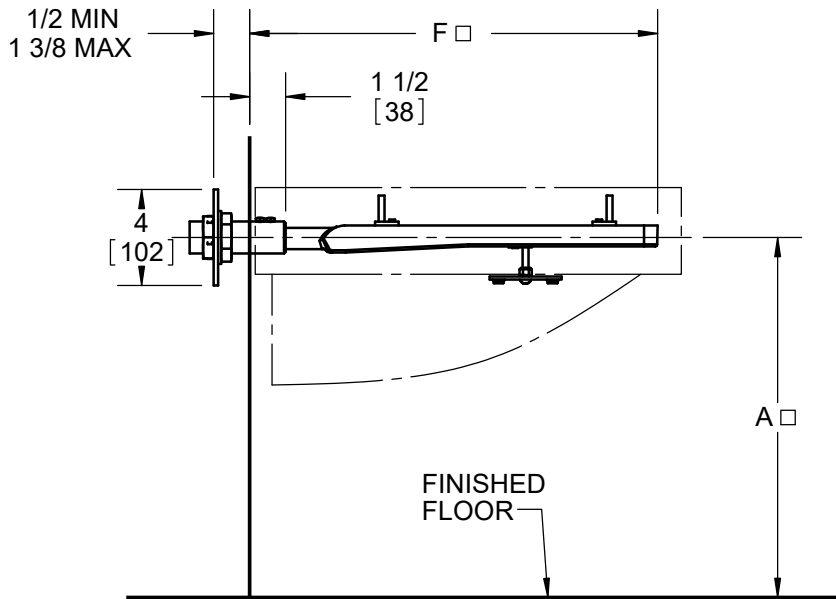
JOSAM 17125 SERIES WALL-MOUNTED, SINGLE LAVATORY CARRIER WITH CONCEALED ARMS, LEVELING & SECURING SCREWS AND STEEL PLATE FOR ATTACHING TO STUDS.

**LAVATORY CARRIER
WALL-MOUNT CONCEALED ARM**

SERIES **17125**



□: VARIABLE DIMENSION.
DEPENDS ON FIXTURE.
STANDARD ADJUSTABLE
SLEEVE IS 4".



MANUFACTURER

NUMBER

SIZE

NAME

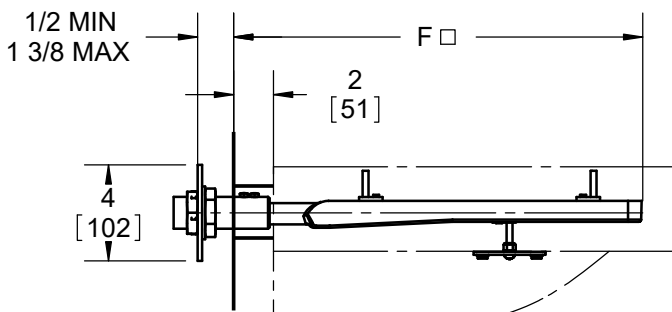
DIMENSIONS

A _____

C _____

F _____

RIM HEIGHT _____
BASED ON "A" DIM SHOWN



CHROME PLATED ESCUTCHEONS (-75)

-10	EXTENSION SLEEVES LONGER THAN STANDARD (SPECIFY WALL THICKNESS)
-75	2" CHROME PLATED ESCUTCHEONS

WARNING: Cancer and Reproductive Harm - www.P65Warnings.ca.gov

DATE OF LAST CHANGE: 7/08/16

DIMENSIONS ARE SUBJECT TO MANUFACTURERS TOLERANCES AND CHANGE WITHOUT NOTICE. WE CAN ASSUME NO RESPONSIBILITY FOR USE OF SUPERSEDED OR VOID DATA.

JOSAM

MICHIGAN CITY, INDIANA

NOTES